



UFO StrobeClamp

Uniform Frequency Orbiter



Made in USA

Copyrights & Trademarks

© Copyright Hagerman Audio Labs 2013. All rights reserved. No part of this document may be photocopied, reproduced, or translated to another language without the prior written consent.

Disclaimer

The information contained in this document is subject to change without notice. Hagerman Audio Labs shall not be liable for errors contained herein or for consequential damages in connection with the furnishing, performance, or use of this material.

Warranty

Hagerman Audio Labs warrants this product free of defects in materials and workmanship for a period of 10 years. If you discover a defect, Hagerman Audio Labs will, at its option, repair or replace the product at no charge to you provided you return it during the warranty period, transportation charges prepaid to Hagerman Audio Labs. This warranty does not apply if the product has been damaged by negligence, accident, abuse or misuse or misapplication, has been damaged because it has been improperly connected to other equipment or has been modified without the express written permission of Hagerman Audio Labs. This warranty is limited to the replacement or repair of this product and not to damage to equipment of other manufacturers. Any applicable implied warranties, including warranty of merchantability, are limited in duration to a period of the express warranty as provided herein beginning with the original date of purchase and no warranties, whether express or implied shall apply to the product thereafter. Under no circumstances shall Hagerman Audio Labs be liable for any loss, direct, indirect, incidental, special, or consequential damage arising out of or in connection with the use of this product.

Hagerman Audio Labs

PO Box 61911

Honolulu, HI 96839

808-383-2704 (voice)

www.haglabs.com

Description

The UFO (uniform frequency orbiter) strobeclamp is a finely machined and balanced record clamp designed to improve the dynamics and reduce noise floor when playing LPs. It has a one-of-a-kind built-in speed strobe for accurate adjustment of platter rotational velocity. The accurate crystal-based circuit flashes LEDs for precise 33.3 and 45 RPM monitoring. Special “freeze” modes are included where the UFO appears to stand still in space, which is useful for measuring long-term drift. Control is via the single pushbutton on the top.

Specifications

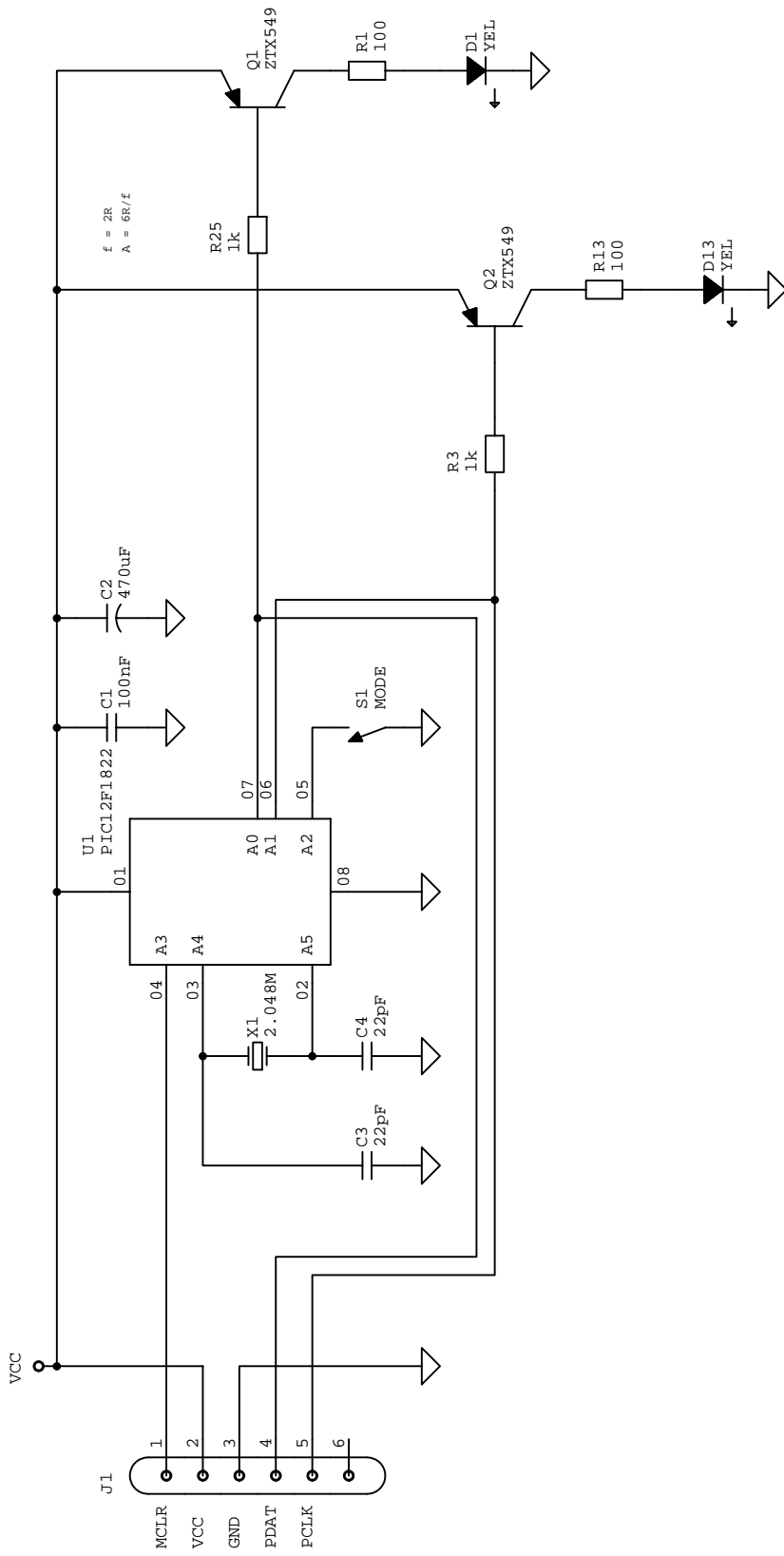
Item	Specification
Weight	17 oz.
Size	3.5" diameter, 3.25" tall
Speeds	33.3, 45.0
Battery Type	AAA x 3

Operation

The UFO is simple to use, just place on the record spindle. Strobe modes are sequenced as follows: OFF – 33.3 – 3.33 – 45 – 4.5 – OFF. The 1/10th frequency modes freeze the LEDs in space. The normal modes require viewing the strobe pattern on the bottom disc.

Batteries

To replace the three AAA batteries, remove the top cover (3 screws), and then carefully lift out the circuit board assembly. Be careful not to bend any of the LED wires! Install the new batteries, and place the assembly back into the housing. Make sure mounting holes and LEDs are properly lined up. Apply the top cover.



Hagerman Audio Labs
 PO Box 61911
 Honolulu, HI 96839

TITLE: UFO

Document Number:

REV:

Date: 7/17/2013 7:51:59 PM

Sheet: 1/1