



HA-10

Vacuum Tube Headphone Amp



Made in USA

Copyrights & Trademarks

© Copyright Hagerman Audio Labs 2008. All rights reserved. No part of this document may be photocopied, reproduced, or translated to another language without the prior written consent.

Disclaimer

The information contained in this document is subject to change without notice. Hagerman Audio Labs shall not be liable for errors contained herein or for consequential damages in connection with the furnishing, performance, or use of this material.

Warranty

Hagerman Audio Labs warrants this product free of defects in materials and workmanship for a period of 10 years. If you discover a defect, Hagerman Audio Labs will, at its option, repair or replace the product at no charge to you provided you return it during the warranty period, transportation charges prepaid to Hagerman Audio Labs. This warranty does not apply if the product has been damaged by negligence, accident, abuse or misuse or misapplication, has been damaged because it has been improperly connected to other equipment or has been modified without the express written permission of Hagerman Audio Labs. This warranty is limited to the replacement or repair of this product and not to damage to equipment of other manufacturers. Any applicable implied warranties, including warranty of merchantability, are limited in duration to a period of the express warranty as provided herein beginning with the original date of purchase and no warranties, whether express or implied shall apply to the product thereafter. Under no circumstances shall Hagerman Audio Labs be liable for any loss, direct, indirect, incidental, special, or consequential damage arising out of or in connection with the use of this product.

Hagerman Audio Labs

PO Box 26437

Honolulu, HI 96825

808-383-2704 (voice)

808-394-6076 (fax)

www.haglabs.com

Description

The HA-10 is a world-class tube headphone amplifier designed to operate with either low impedance(Grado) or high impedance (Sennheiser) headphones. The power stage is a one-tube single-ended parafeed triode output through an impedance matching transformer, offering very low distortion and huge signal headroom. The robust power supply is fully choked for continuous current draw from the ac line. The sonics are pure, fast, and neutral, without a trace of harshness.

Package Contents

- HA-10
- Power cord

Specifications

Item	Specification
Gain	2.6dB
Sensitivity	3Vrms maximum
Input Impedance	50k ohm
Output Impedance	9 ohm
Bandwidth	12Hz to 75kHz
Distortion	<0.5% @1kHz
Noise	98dB ref 1V A-weighted
Size	10" x 10" x 4"
Power	120Vac 15W

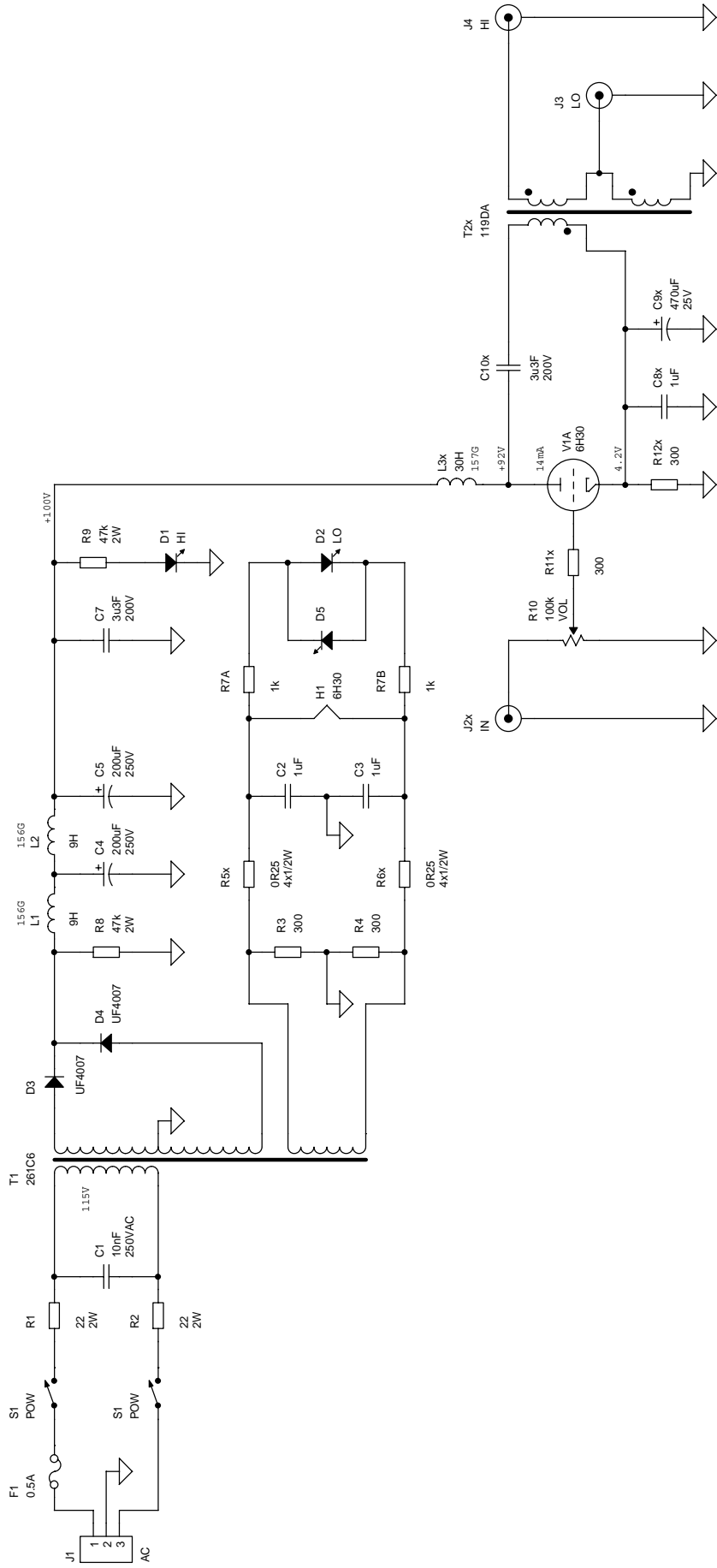
Operation

The HA-10 connects like any other headphone amplifier. Inputs are line level, adjust sound level with VOLUME control.

Connect the power cord to a 120Vac source. Turn on using the pushbutton power switch on the back panel. The HA-10 requires about 30 seconds warm-up to start playing, and another 30 minutes to sound its best, which is typical of high quality tube equipment.

There are output taps for both LO and HI impedance phones.





ONE OF TWO CHANNELS SHOWN

Hagerman Technology LLC
 P.O. Box 26467
 Honolulu, HI 96825

Title: **HA-10- Headphone Amplifier**
 Size: Document Number
 n/a
 Date: Thursday, April 24, 2008

This document contains proprietary information and except with written permission of Hagerman Technology LLC such information shall not be published, or disclosed to others, or used for any purpose, and the document shall not be copied in whole or in part. Copyright Hagerman Technology LLC 2007. All rights reserved.

