



TUBA

Headphone Amplifier



Made in USA

Copyrights & Trademarks

© Copyright Hagerman Audio Labs 2019. All rights reserved. No part of this document may be photocopied, reproduced, or translated to another language without the prior written consent.

Disclaimer

The information contained in this document is subject to change without notice. Hagerman Audio Labs shall not be liable for errors contained herein or for consequential damages in connection with the furnishing, performance, or use of this material.

Warranty

Hagerman Audio Labs warrants this product free of defects in materials and workmanship for a period of 10 years. If you discover a defect, Hagerman Audio Labs will, at its option, repair or replace the product at no charge to you provided you return it during the warranty period, transportation charges prepaid to Hagerman Audio Labs. This warranty does not apply if the product has been damaged by negligence, accident, abuse or misuse or misapplication, has been damaged because it has been improperly connected to other equipment or has been modified without the express written permission of Hagerman Audio Labs. This warranty is limited to the replacement or repair of this product and not to damage to equipment of other manufacturers. Any applicable implied warranties, including warranty of merchantability, are limited in duration to a period of the express warranty as provided herein beginning with the original date of purchase and no warranties, whether express or implied shall apply to the product thereafter. Under no circumstances shall Hagerman Audio Labs be liable for any loss, direct, indirect, incidental, special, or consequential damage arising out of or in connection with the use of this product.

Hagerman Audio Labs

PO Box 61911

Honolulu, HI 96839

808-383-2704

www.haglabs.com

Description

The TUBA is a world-class vacuum tube headphone amplifier designed to operate with either low impedance (Grado) or high impedance (Sennheiser) headphones. The power stage is a single-ended parafeed EL84 triode into an impedance matching transformer, offering very low distortion and huge signal headroom. An internal switching power supply boosts the 15Vdc input by a factor of ten for B+, after a 30 second warm up delay. The amplifier is conveniently turned on and off by pressing the volume knob inwards.

Specifications

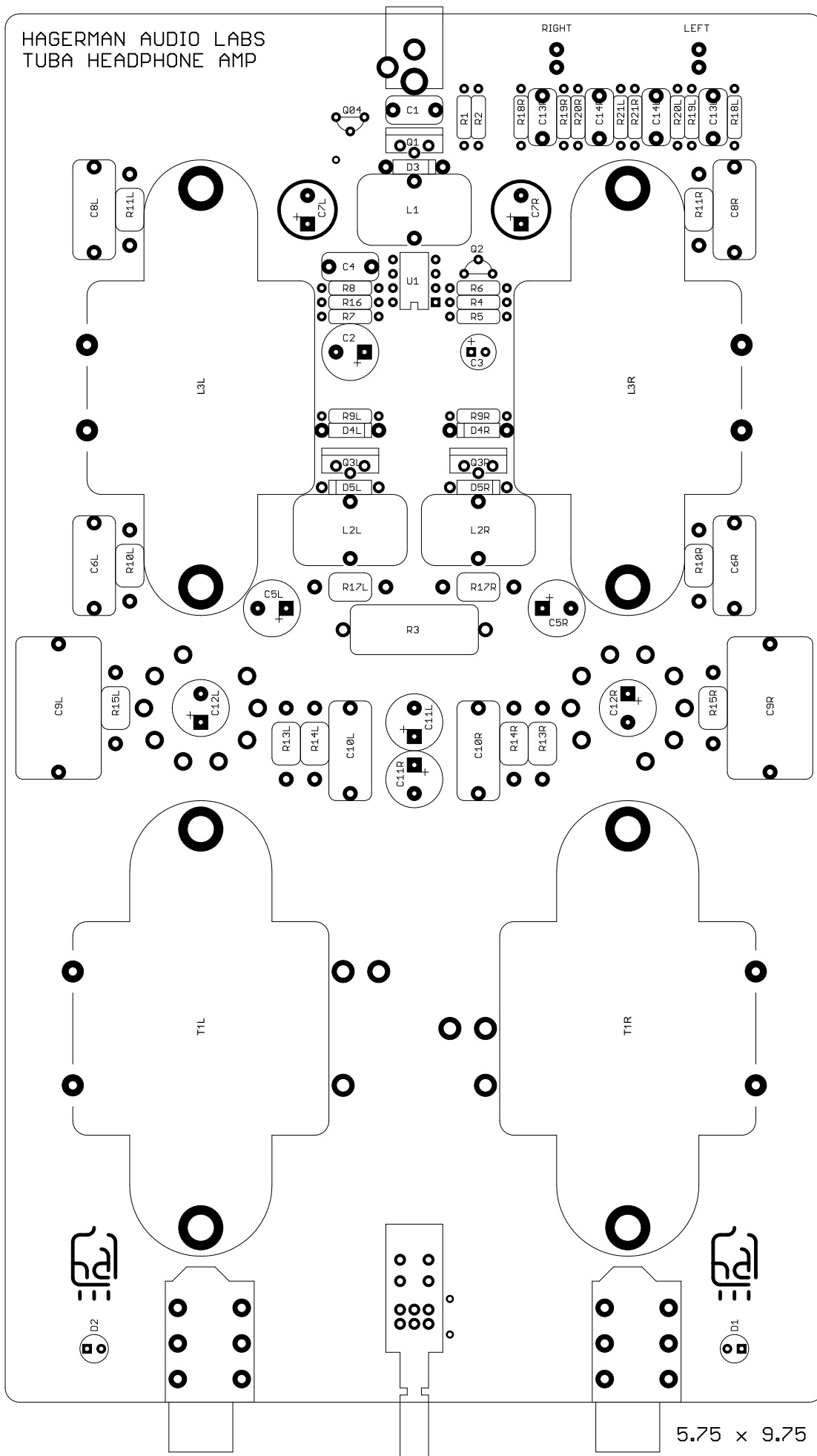
Item	Specification
Sensitivity	4Vrms
Input Impedance	10k ohm
Output Impedance	14 ohm
Bandwidth	10Hz to 150kHz
Output Power	400mW @ 32 ohm
Output Voltage	6Vrms @ 1% distortion
Size	6 x 10 x 3.5 inches
Power	15Vdc @ 1.35A

Operation

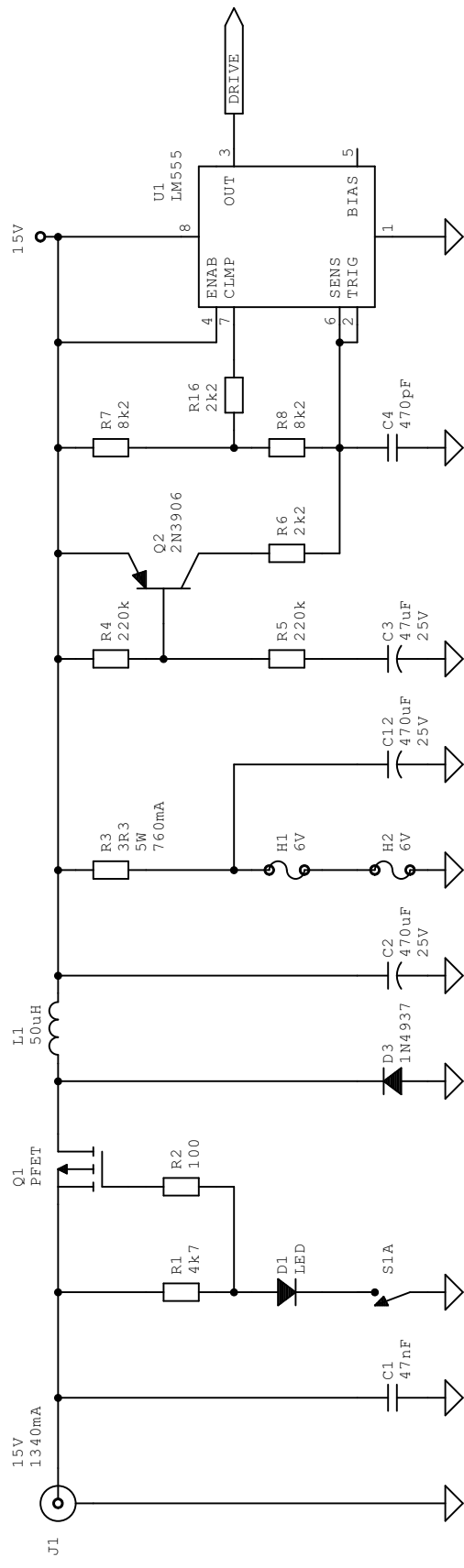
The TUBA connects like any other headphone amplifier. Inputs are line level. Connect the 15Vdc wall-wart power supply and plug in. Attach RCA interconnects to your favorite source (linestage, phonostage, computer). Plug in headphones on front panel.

Press VOLUME knob to turn on. Left side indicator should light up immediately. After 30 seconds or so, the high voltage will fire up and turn on the right side indicator.

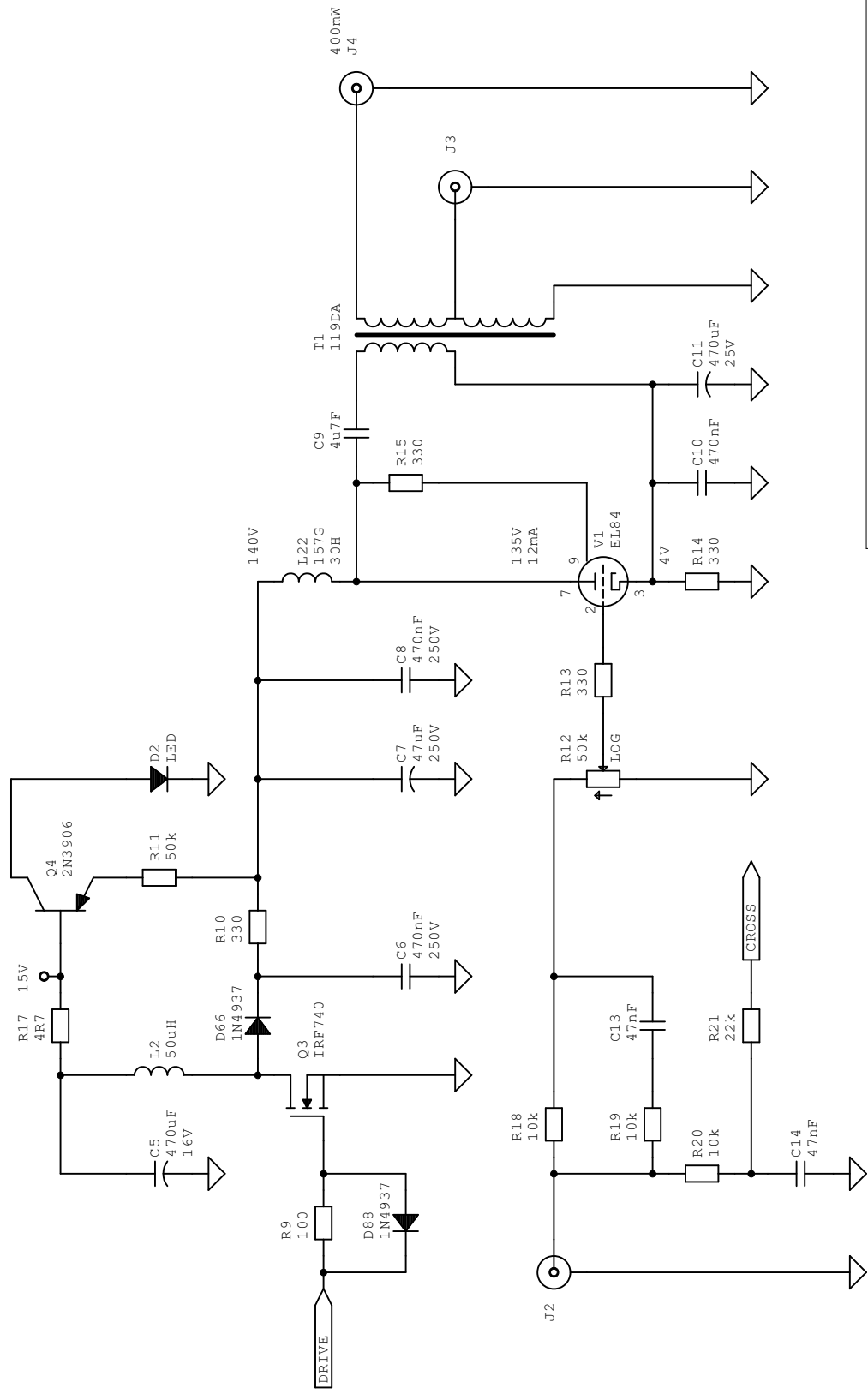
HAGERMAN AUDIO LABS
TUBA HEADPHONE AMP



5.75 x 9.75



<p>Hagerman Audio Labs PO Box 61911 Honolulu, HI 96839</p>	
<p>TITLE: Tuba</p>	
<p>Document Number:</p>	<p>REU:</p>
<p>Date: 2/27/2019 4:12:42 PM</p>	<p>Sheet: 1/2</p>



Hagerman Audio Labs
 PO Box 61911
 Honolulu, HI 96839

TITLE: Tuba

Document Number:

REU:

Date: 2/27/2019 4:12:42 PM

Sheet: 2/2