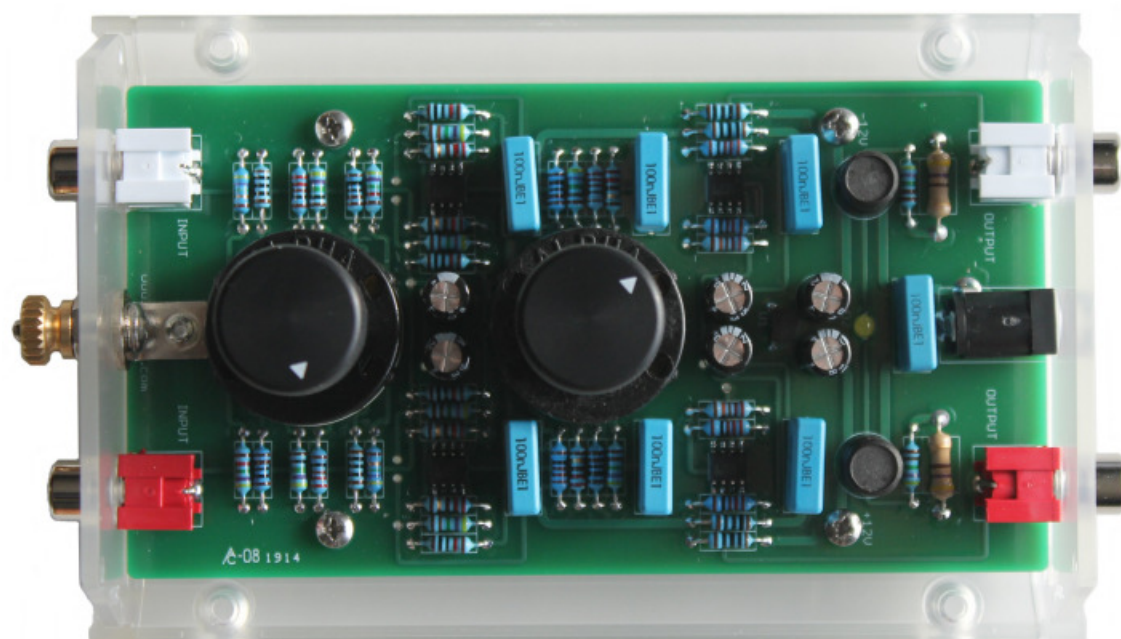




PICCOLO2

JFET MC Headamp



Made in USA

Copyrights & Trademarks

© Copyright Hagerman Audio Labs 2014. All rights reserved. No part of this document may be photocopied, reproduced, or translated to another language without the prior written consent.

Disclaimer

The information contained in this document is subject to change without notice. Hagerman Audio Labs shall not be liable for errors contained herein or for consequential damages in connection with the furnishing, performance, or use of this material.

Warranty

Hagerman Audio Labs warrants this product free of defects in materials and workmanship for a period of 10 years. If you discover a defect, Hagerman Audio Labs will, at its option, repair or replace the product at no charge to you provided you return it during the warranty period, transportation charges prepaid to Hagerman Audio Labs. This warranty does not apply if the product has been damaged by negligence, accident, abuse or misuse or misapplication, has been damaged because it has been improperly connected to other equipment or has been modified without the express written permission of Hagerman Audio Labs. This warranty is limited to the replacement or repair of this product and not to damage to equipment of other manufacturers. Any applicable implied warranties, including warranty of merchantability, are limited in duration to a period of the express warranty as provided herein beginning with the original date of purchase and no warranties, whether express or implied shall apply to the product thereafter. Under no circumstances shall Hagerman Audio Labs be liable for any loss, direct, indirect, incidental, special, or consequential damage arising out of or in connection with the use of this product.

Hagerman Audio Labs

PO Box 61911

Honolulu, HI 96839

808-383-2704 (voice)

www.haglabs.com

Description

Congratulations, you have just purchased one of the highest performance-per-dollar audiophile products available! The Piccolo2 is an MC headamp that provides a pre-gain for your MM phonostage. The active circuitry uses low noise matched discrete JFETs in a no-feedback gain and buffer configuration, offering very low noise and distortion. The sound is extremely neutral leaving no sonic signature. Both loading and gain are adjustable, providing extreme flexibility.

Specifications

Item	Specification
Gain	0, 12, 20, 26 dB
Input Impedance	47, 100, 220, 470, 1k, 47k ohm
Output Impedance	300 ohm
Bandwidth	6Hz to 800kHz
Distortion	<0.01% @1kHz
Noise	85dB ref 0.5mV A-weighted (MC)
Size	3" x 5" x 1"
Power	120Vac / 240Vac 1W

Installation

Operation

The Piccolo2 installs between your MC cartridge and MM phono stage. Be sure to connect turntable ground! Power is supplied by a small wall-wart style power supply. It is best to use shielded interconnects to minimize hum induction.

Set the gain level to match your cartridge output level (see following table). Finally, adjust resistive input loading to taste. Most MC carts run well at about 100 ohms.

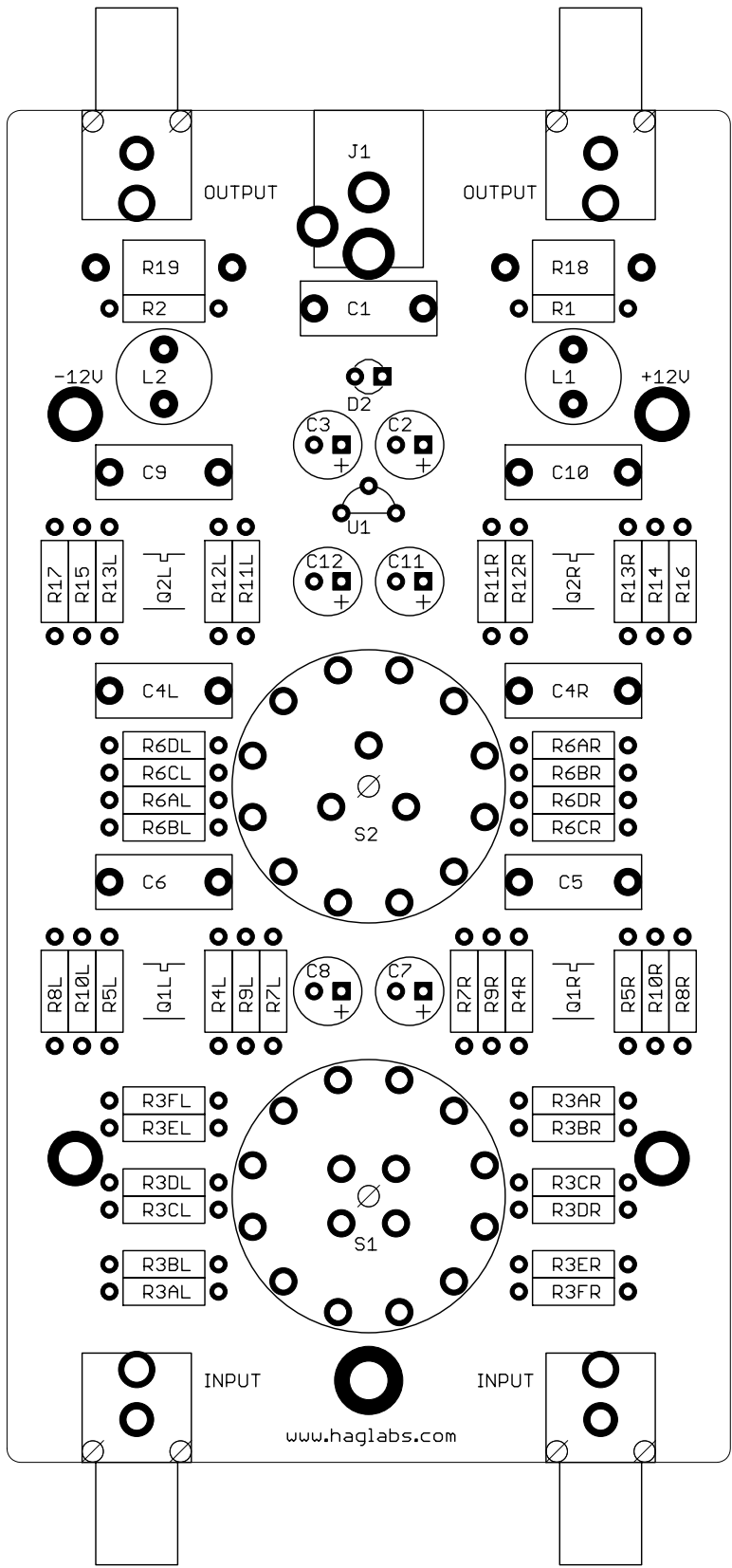
WARNING: Be careful when changing gain, as this causes audible "pops". Turn system volume down.

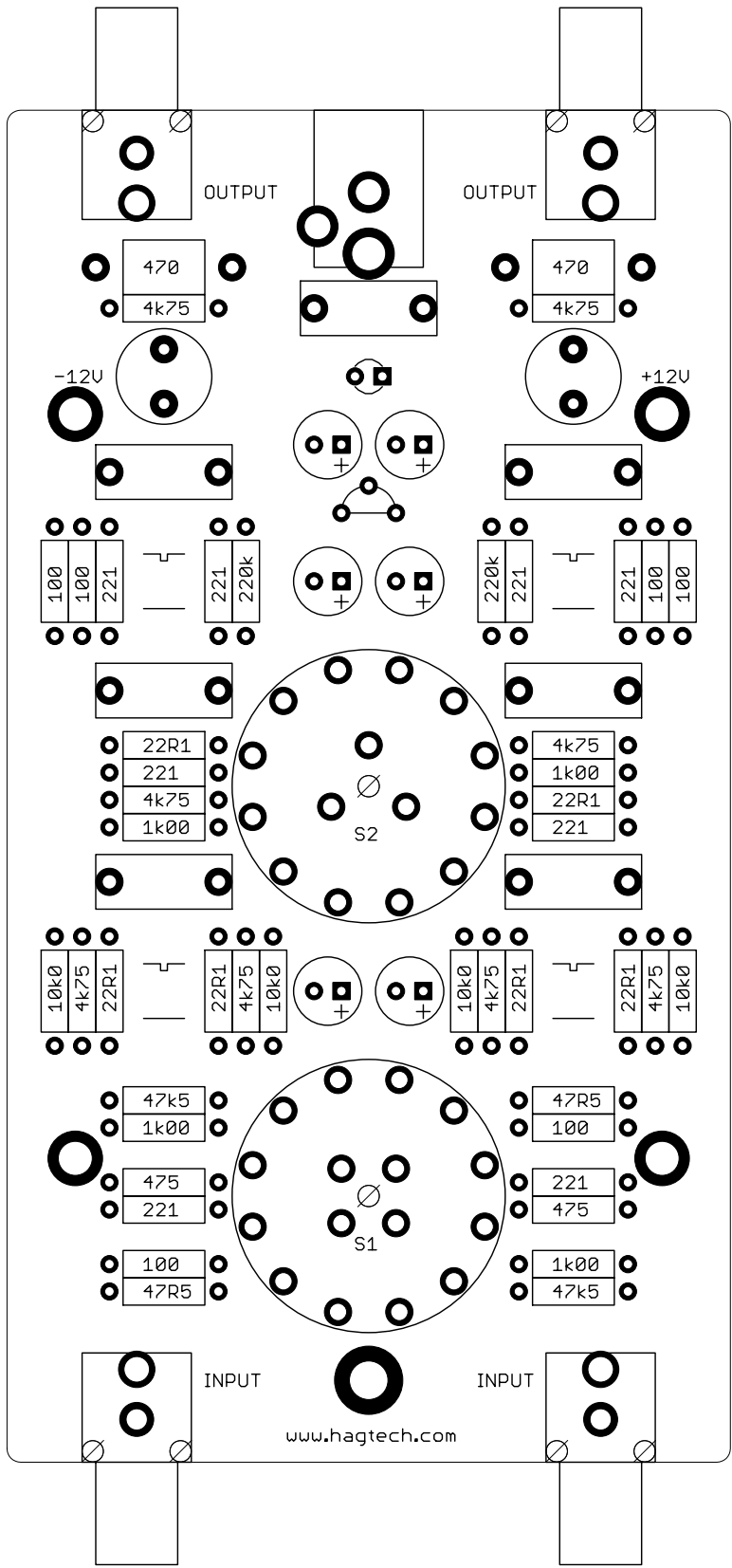
Cartridge	Gain
<0.2mV	26dB
0.2mV to 0.6mV	20dB
0.6mV to 2mV	12dB
>2mV	0dB

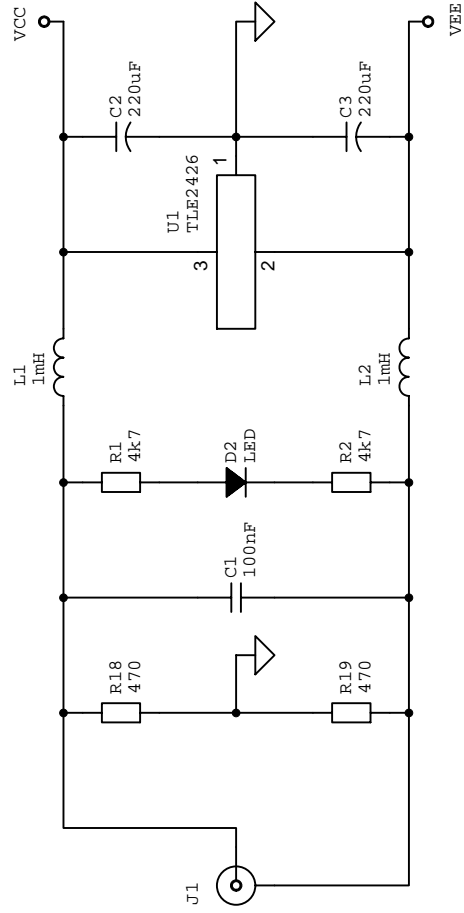
Troubleshooting

If the sound is not good, double-check all resistor values to make sure they were installed into their correct locations.

Hum, buzz, and other noise sources (WiFi) can be induced into the Piccolo2 and/or input cables via close proximity. Place as far from other equipment as possible.







Hagerman Audio Labs
 PO Box 61911
 Honolulu, HI 96839

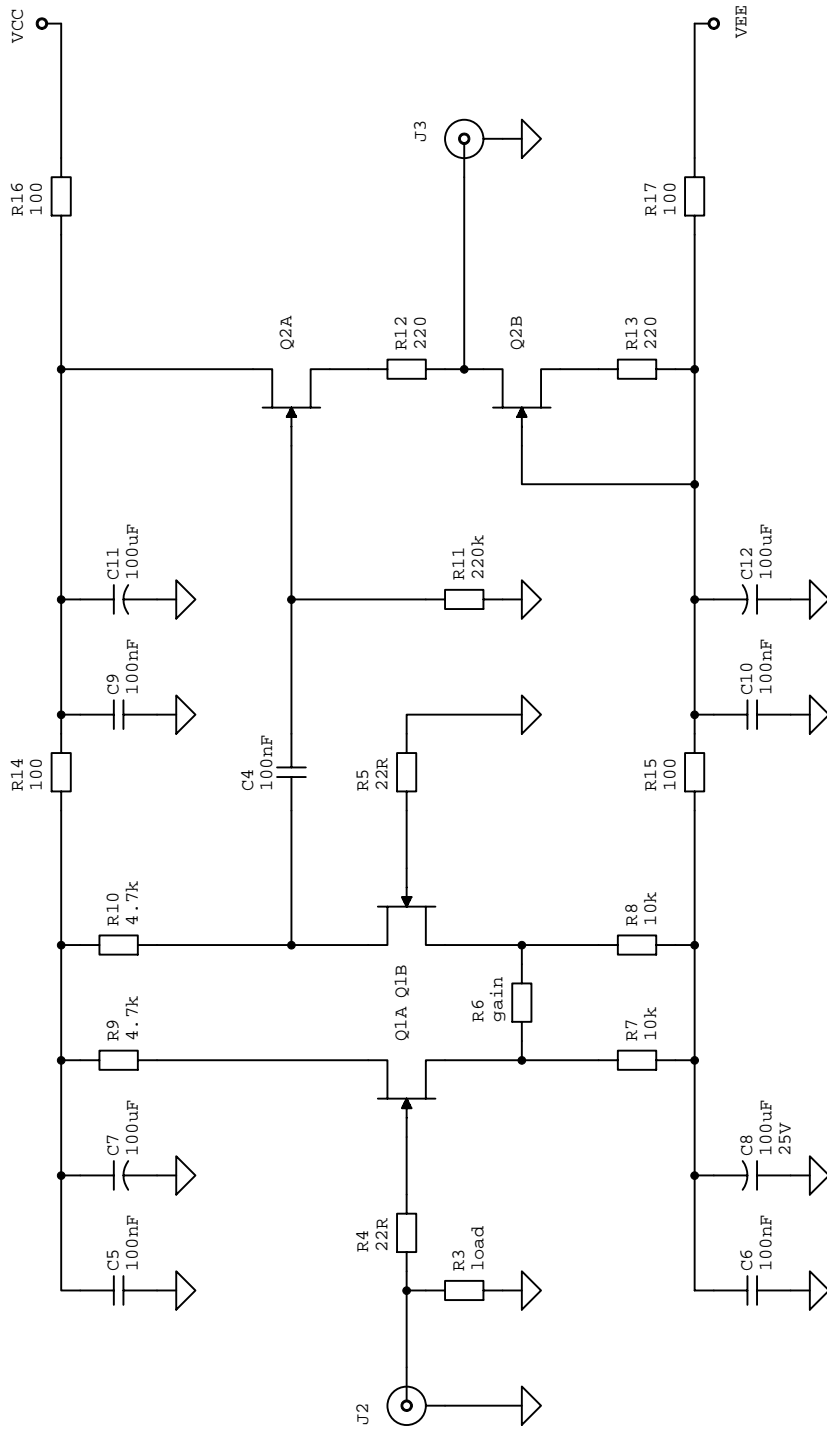
TITLE: Piccolo2

Document Number:

REV:

Date: 6/8/2014 1:17:41 PM

Sheet: 1/2



<p>Hagerman Audio Labs PO Box 61911 Honolulu, HI 96839</p>	
<p>TITLE: Piccolo2</p>	
<p>Document Number:</p>	<p>REV:</p>
<p>Date: 6/8/2014 1:17:41 PM</p>	<p>Sheet: 2/2</p>