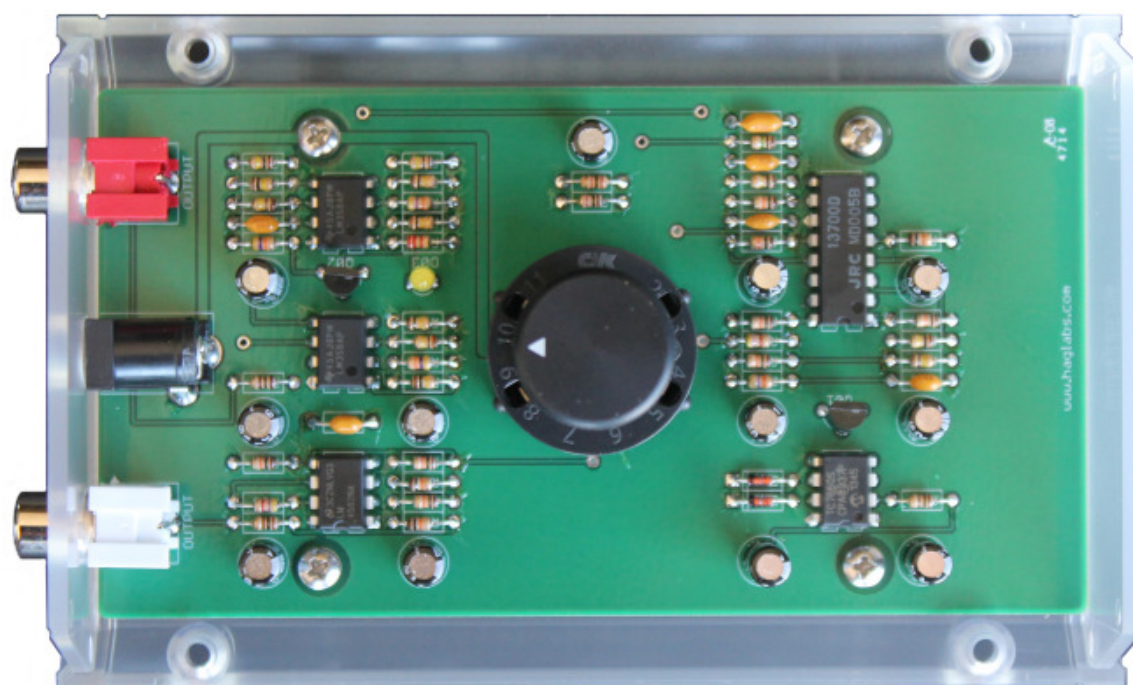




# FRYBABY2

*Compact Burn-in Generator*



Made in USA

---

## ***Copyrights & Trademarks***

© Copyright Hagerman Audio Labs 2014. All rights reserved. No part of this document may be photocopied, reproduced, or translated to another language without the prior written consent.

## ***Disclaimer***

The information contained in this document is subject to change without notice. Hagerman Audio Labs shall not be liable for errors contained herein or for consequential damages in connection with the furnishing, performance, or use of this material.

## ***Warranty***

Hagerman Audio Labs warrants this product free of defects in materials and workmanship for a period of 10 years. If you discover a defect, Hagerman Audio Labs will, at its option, repair or replace the product at no charge to you provided you return it during the warranty period, transportation charges prepaid to Hagerman Audio Labs. This warranty does not apply if the product has been damaged by negligence, accident, abuse or misuse or misapplication, has been damaged because it has been improperly connected to other equipment or has been modified without the express written permission of Hagerman Audio Labs. This warranty is limited to the replacement or repair of this product and not to damage to equipment of other manufacturers. Any applicable implied warranties, including warranty of merchantability, are limited in duration to a period of the express warranty as provided herein beginning with the original date of purchase and no warranties, whether express or implied shall apply to the product thereafter. Under no circumstances shall Hagerman Audio Labs be liable for any loss, direct, indirect, incidental, special, or consequential damage arising out of or in connection with the use of this product.

### **Hagerman Audio Labs**

PO Box 61911  
Honolulu, HI 96839  
808-383-2704  
[www.haglabs.com](http://www.haglabs.com)

# Description

The FryBaby2 audio system conditioner is a burn-in signal generator designed especially for cables and interconnects. It can also be used to burn-in linestages, phonostages, and amplifiers. The sophisticated electronic waveform – a combination of wideband noise and variable frequency amplitude modulation – is designed to exercise both low and high frequency characteristics of conductors and insulators.

## *Specifications*

<b>Item</b>	<b>Specification</b>
Output Voltage	1Vrms (LINE), 10mVrms (MM), 1mVrms (MC)
Current Limit	10mA
Signal Bandwidth	10Hz to 1MHz
AC Voltage	120V/240V

---

# Operation

The FryBaby2's control knob sets the mode of operation. **MC** selects an output level suitable for driving moving coil phonostage inputs (-60dB), **MM** for moving magnet phonostages (-40dB), and **ON** for everything else (line level). The internal LED blinks at the rate of modulation.

There are two modes of cable burn-in, voltage and current. Both are required for maximum effectiveness.

## *Voltage Mode*

In voltage mode the cable dielectric is excited by electric fields. Leave the far end of the cable open-circuited (see diagrams in following section).

## *Current Mode*

In current mode, the cable is short circuited, and conductors are exercised via magnetic fields. Short-circuit the far end of the cable or form a loop by returning the cable to the other FryBaby2 output. Current mode is not applicable when using the FryBaby2 to burn in amplification.

## *Duration*

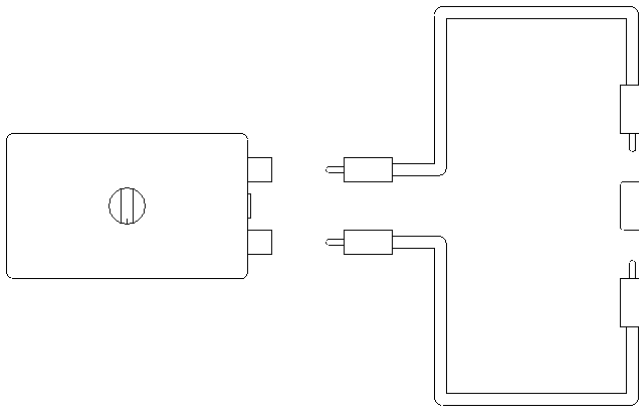
It is best to do a voltage burn for 24 hours followed by a current burn for 48 hours. Note: silver conductors typically take twice as long!

# Connections

The FryBaby2 is designed to burn-in and condition cables offline. It can also be used as a signal generator to break-in amplifiers or other electronics.

## **RCA**

The FryBaby2 can burn in a stereo pair of interconnects by using the female-to-female adapter at the far end. First, do a voltage burn by connecting the interconnect pair directly to the FryBaby2 outputs. Set to **ON**. After the voltage burn, do a current burn by inserting the adapter to close the loop.

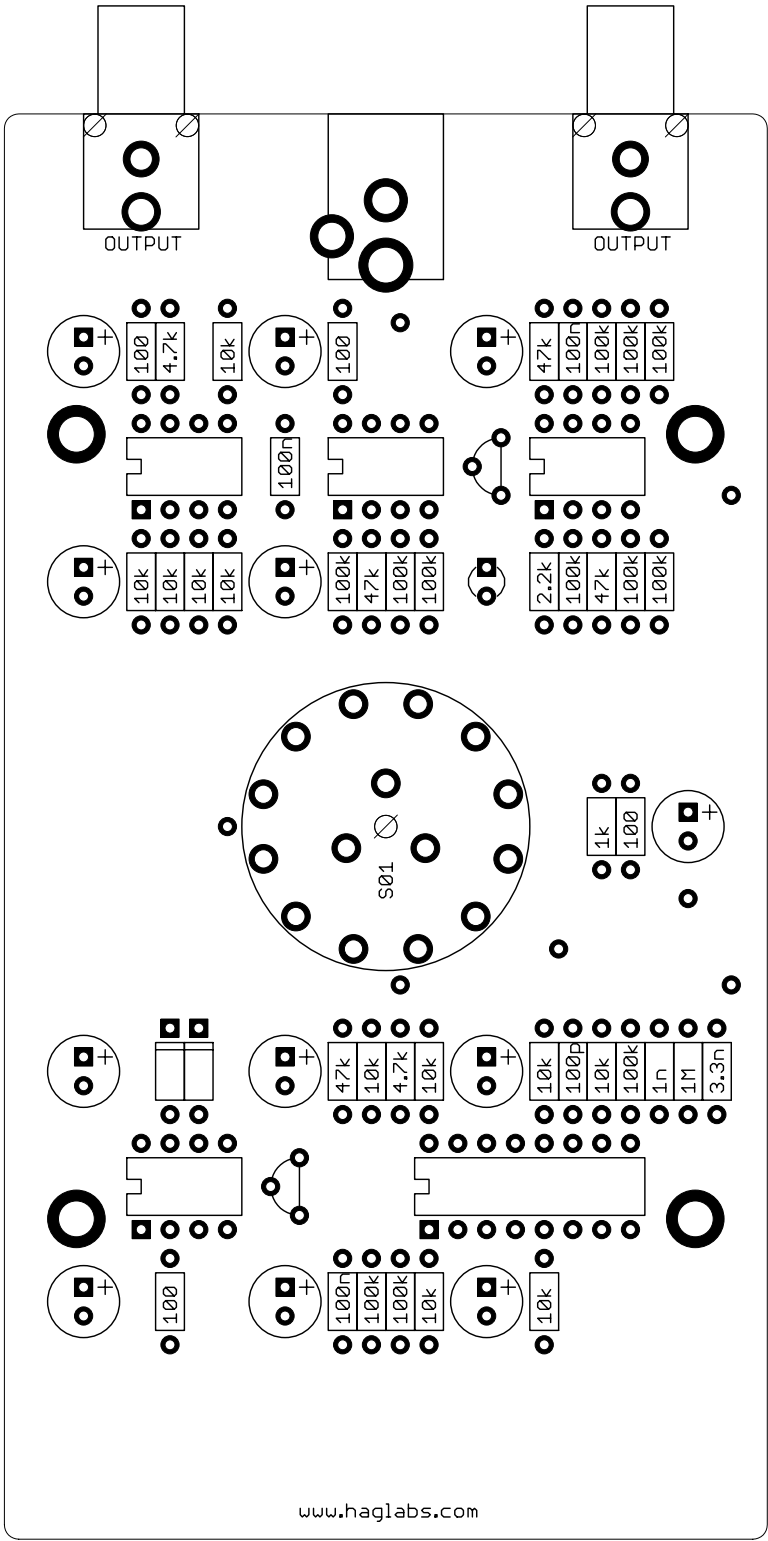


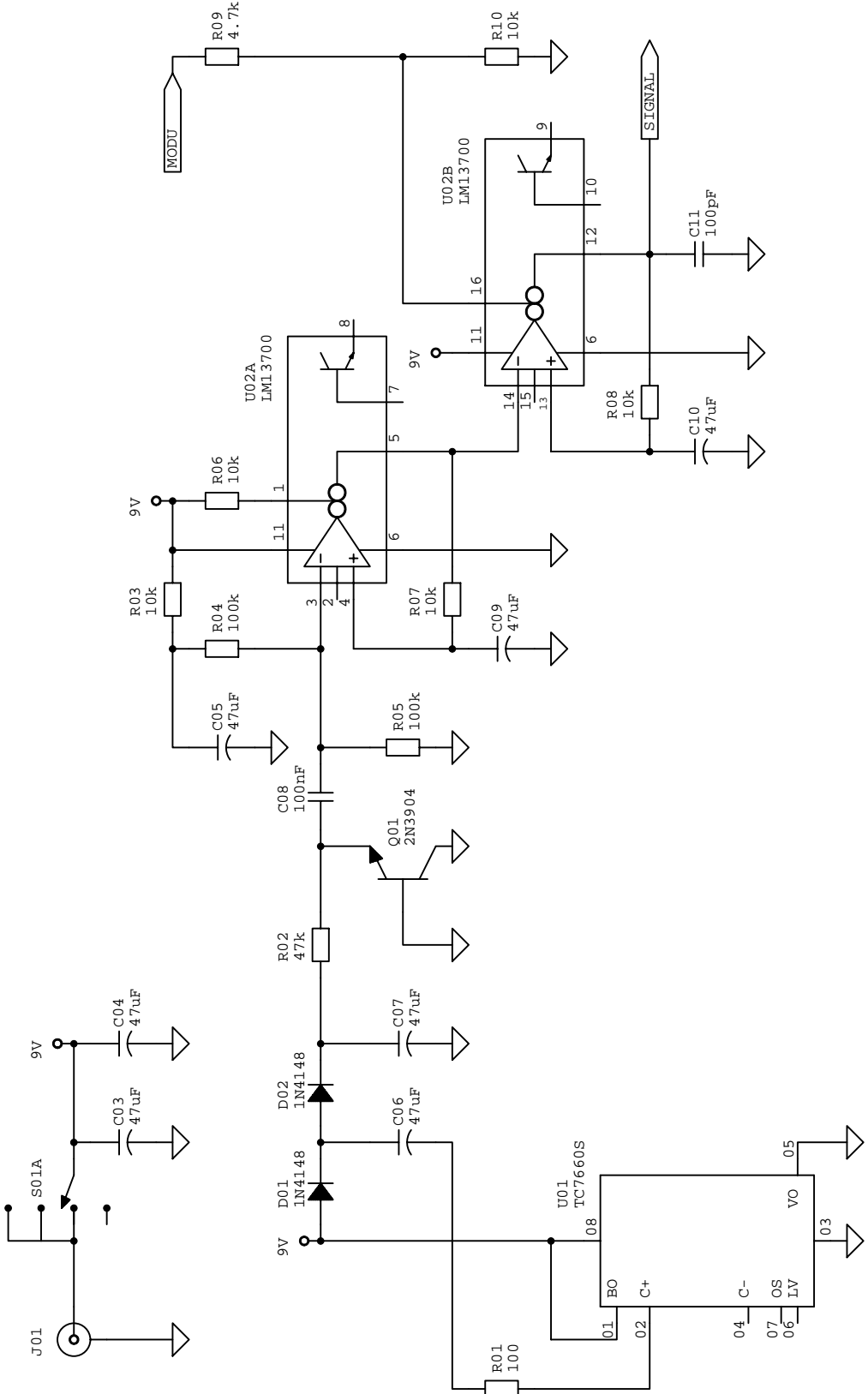
## ***Phonostage, Linestage, Amplifier***

Amplification electronics are burned in using voltage mode. Connect the FryBaby2 outputs to the inputs on your phonostage (you'll need an interconnect). Set the output amplitude to either **MC** or **MM**, depending on the gain of your phonostage. This sets the burn-in signal to the correct amplitude and equalization. For linestages or other types of amplifiers, use the **ON** level output. Amplifier must be powered on.

## ***Troubleshooting***

If the LED is not lit, check the power supply and rotary switch.





Hagerman Audio Labs  
 PO Box 61911  
 Honolulu, HI 96839

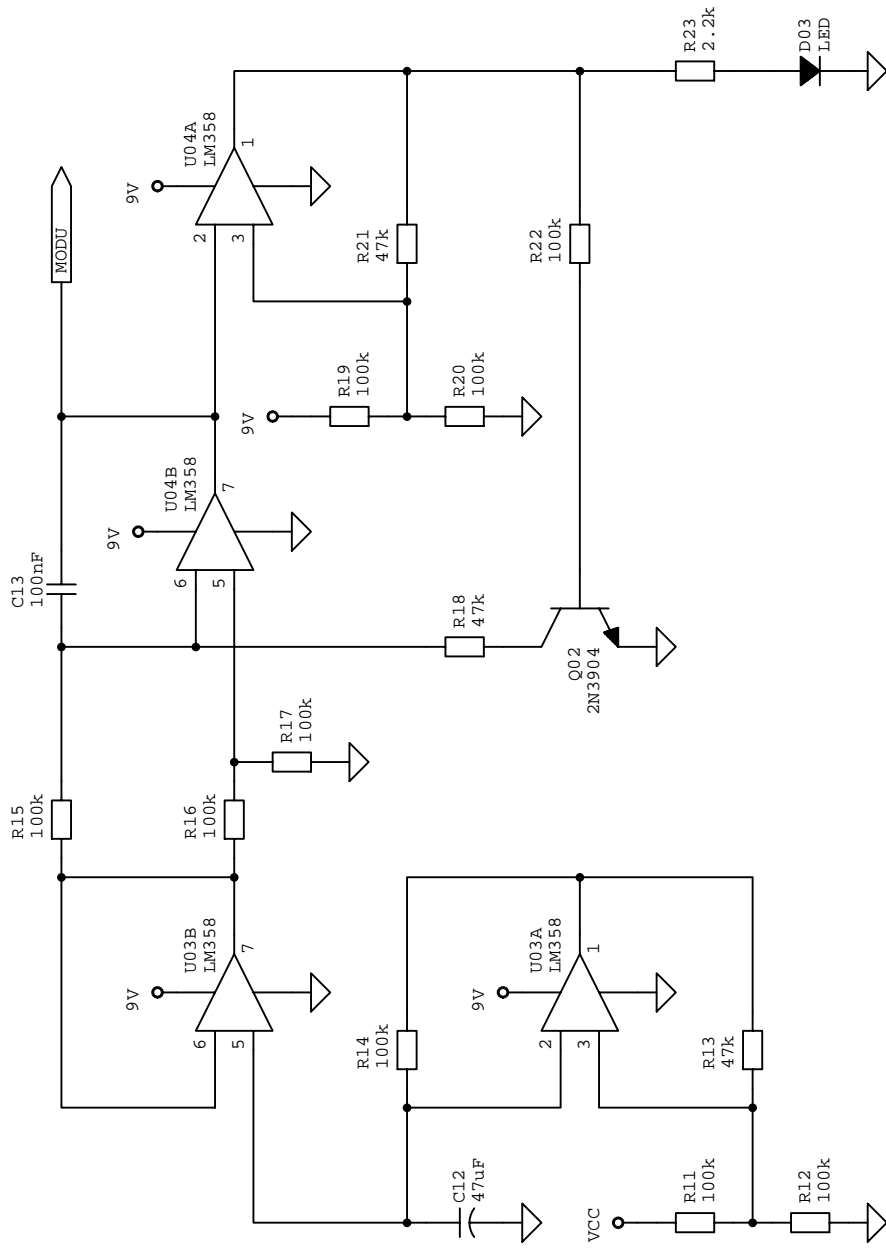
TITLE: FryBaby2

Document Number:

REV:

Date: 11/27/2014 12:46:29 PM

Sheet: 1/3



Hagerman Audio Labs  
 PO Box 61911  
 Honolulu, HI 96839

TITLE: FryBaby2

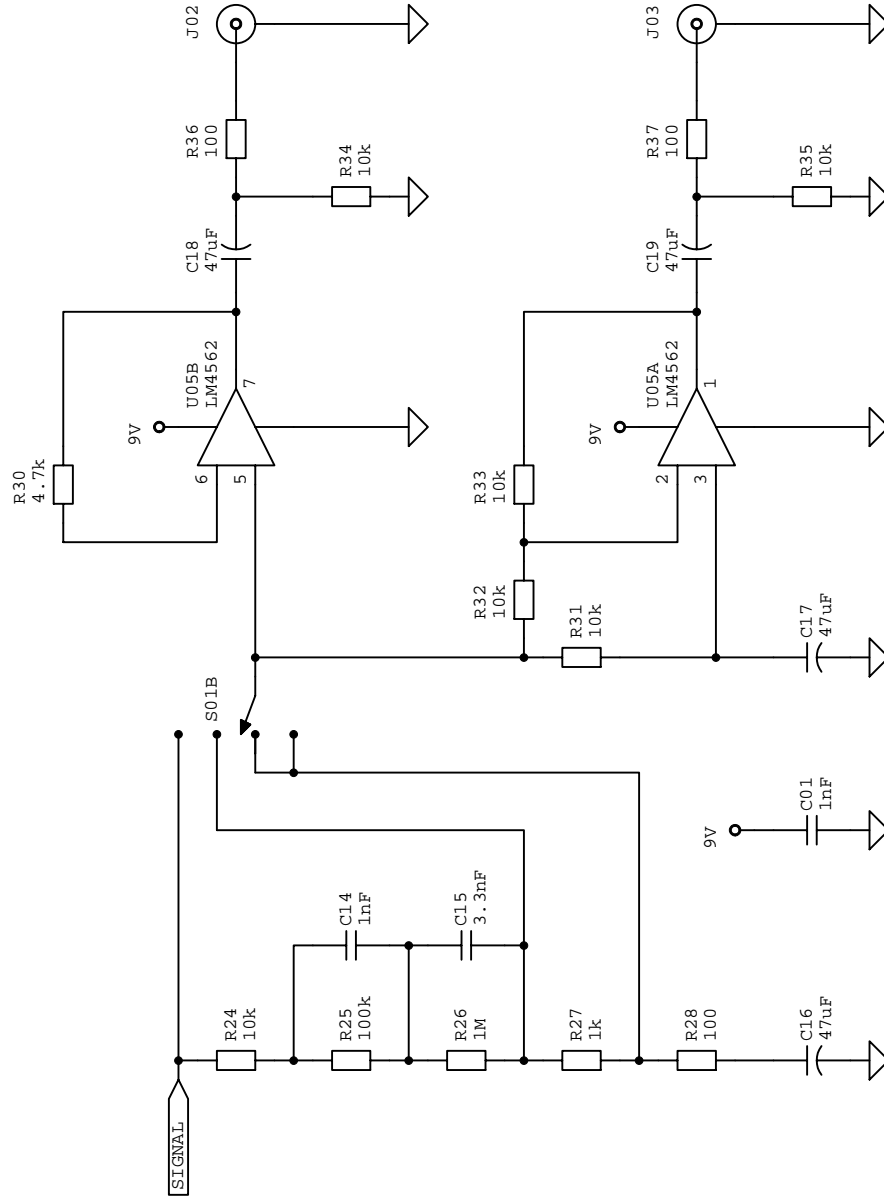
Document Number:

REV:

Date: 11/27/2014 12:46:29 PM

Sheet: 2/3





Hagerman Audio Labs  
 PO Box 61911  
 Honolulu, HI 96839

TITLE: FryBaby2

Document Number:

REV:

Date: 11/27/2014 12:46:29 PM

Sheet: 3/3