

Hagerman Audio Labs
 PO Box 61911
 Honolulu, HI 96839

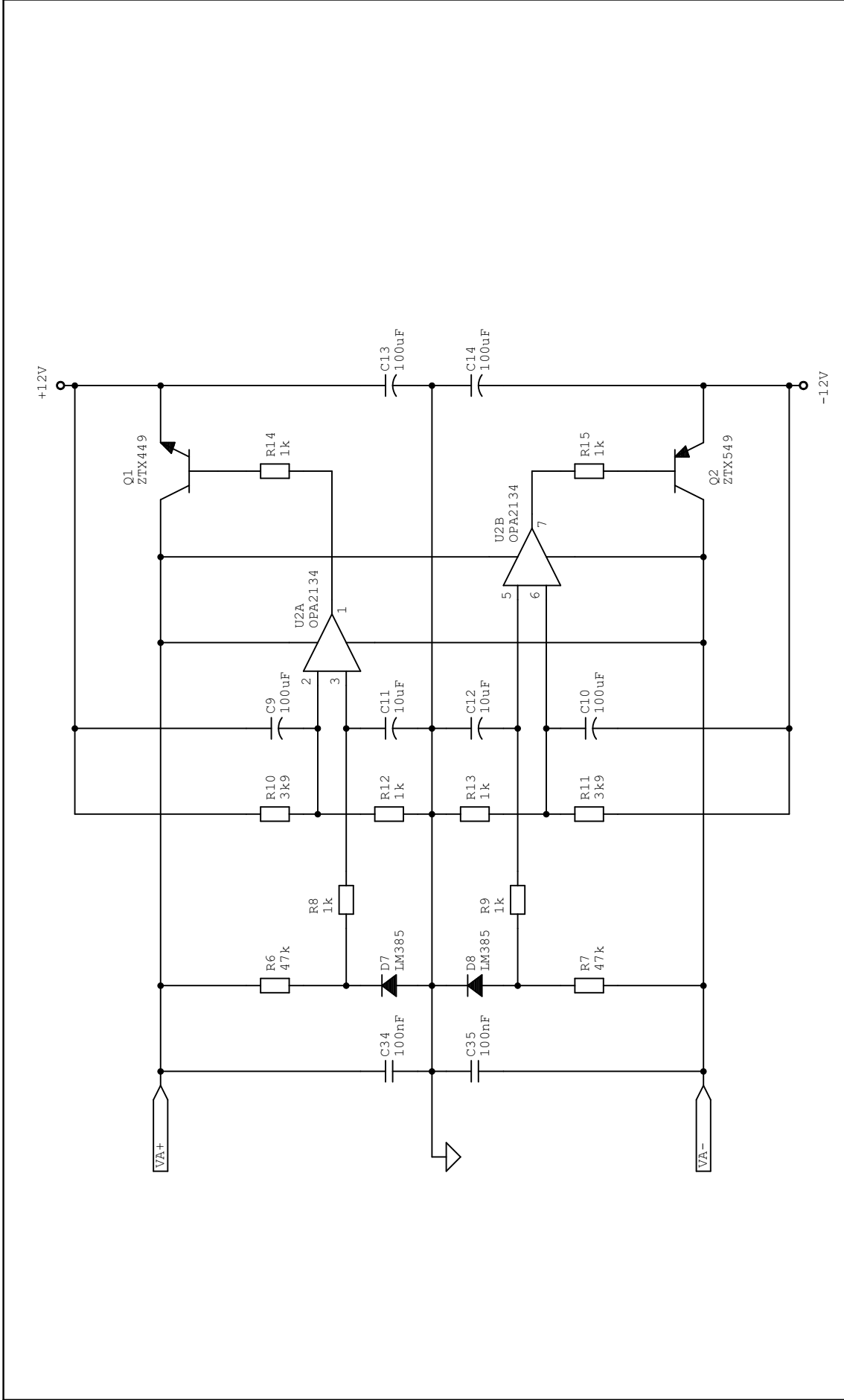
TITLE: EuphMain

Document Number:

REV:

Date: 12/29/2012 4:49 PM

Sheet: 1/6



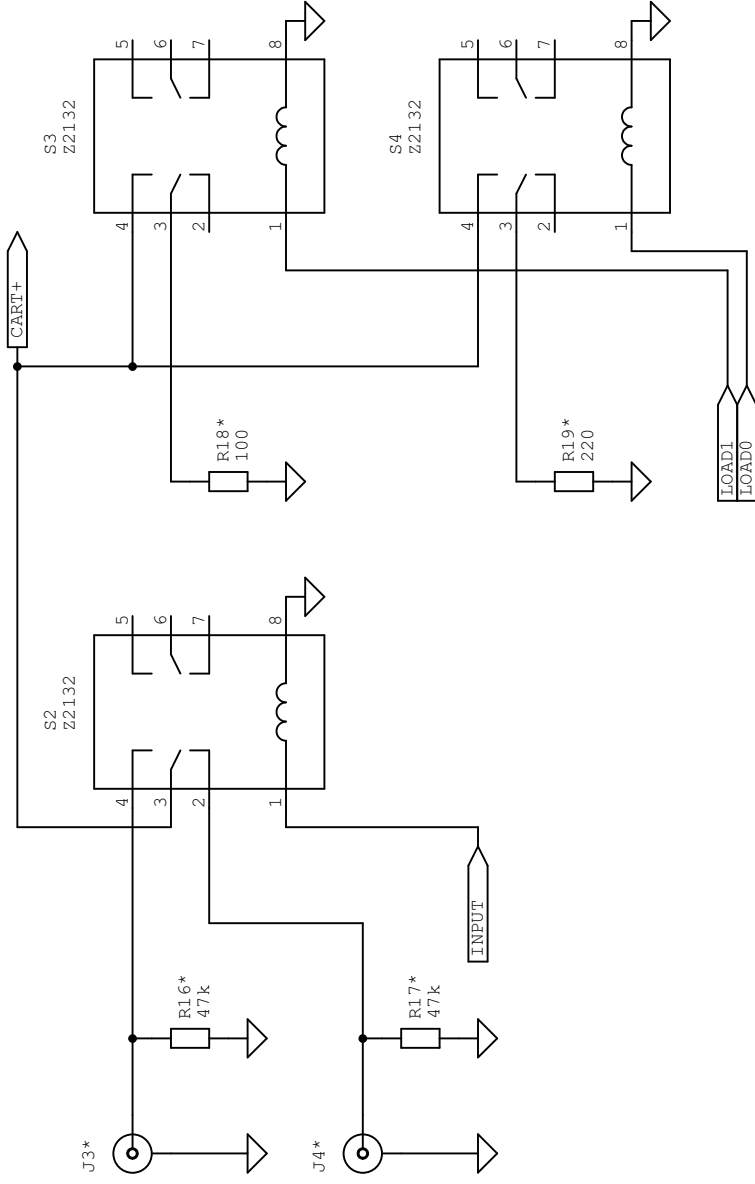
Hagerman Audio Labs
 PO Box 61911
 Honolulu, HI 96839

TITLE: EuphMain

Document Number:

REU:

Date: 12/29/2012 4:49 PM **Sheet:** 2/6



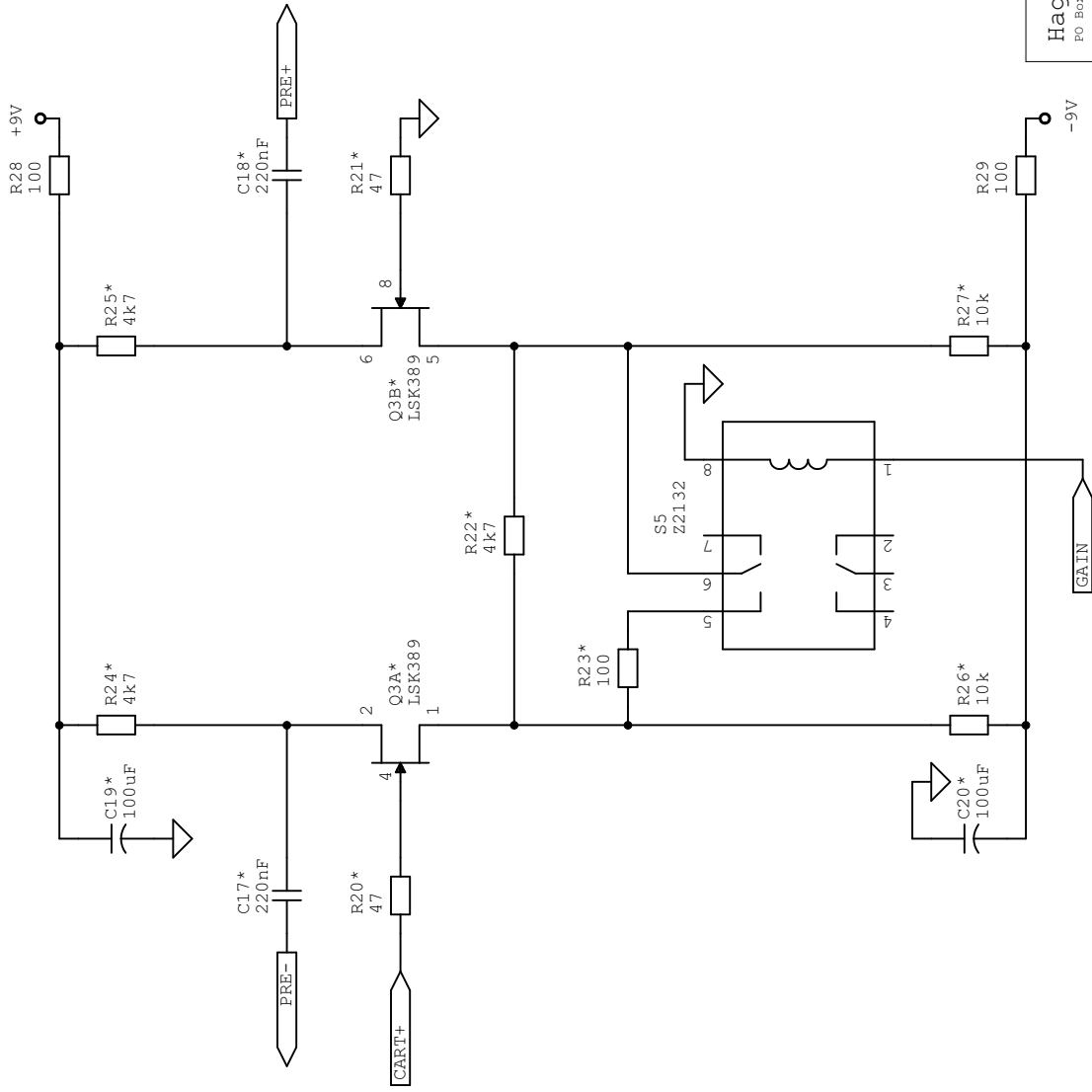
Hagerman Audio Labs
 PO Box 61911
 Honolulu, HI 96839

TITLE: EuphMain

Document Number:

REU:

Date: 12/29/2012 4:49 PM **Sheet:** 3/6



Hagerman Audio Labs
 PO Box 61911
 Honolulu, HI 96839

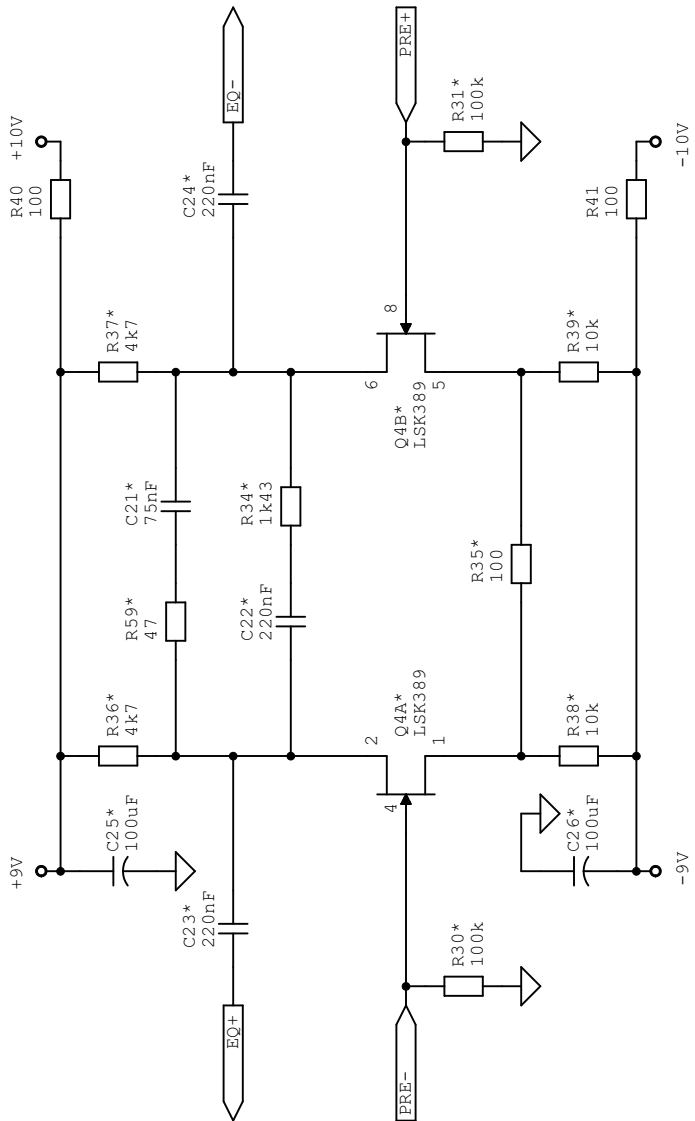
TITLE: EuphMain

Document Number: _____

REU: _____

Date: 12/29/2012 4:49 PM

Sheet: 4/6



Hagerman Audio Labs
 PO Box 61911
 Honolulu, HI 96839

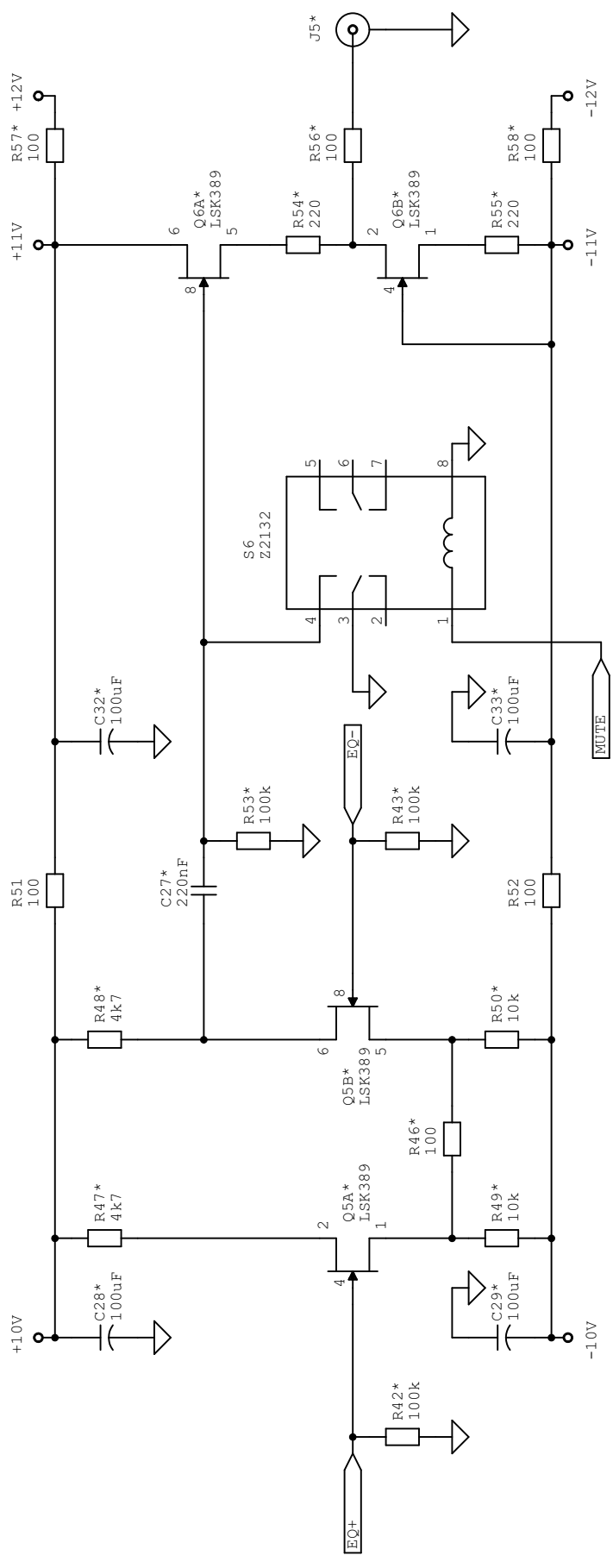
TITLE: EuphMain

Document Number:

REV:

Date: 12/29/2012 4:49 PM

Sheet: 5/6



Hagerman Audio Labs
 PO Box 61911
 Honolulu, HI 96839

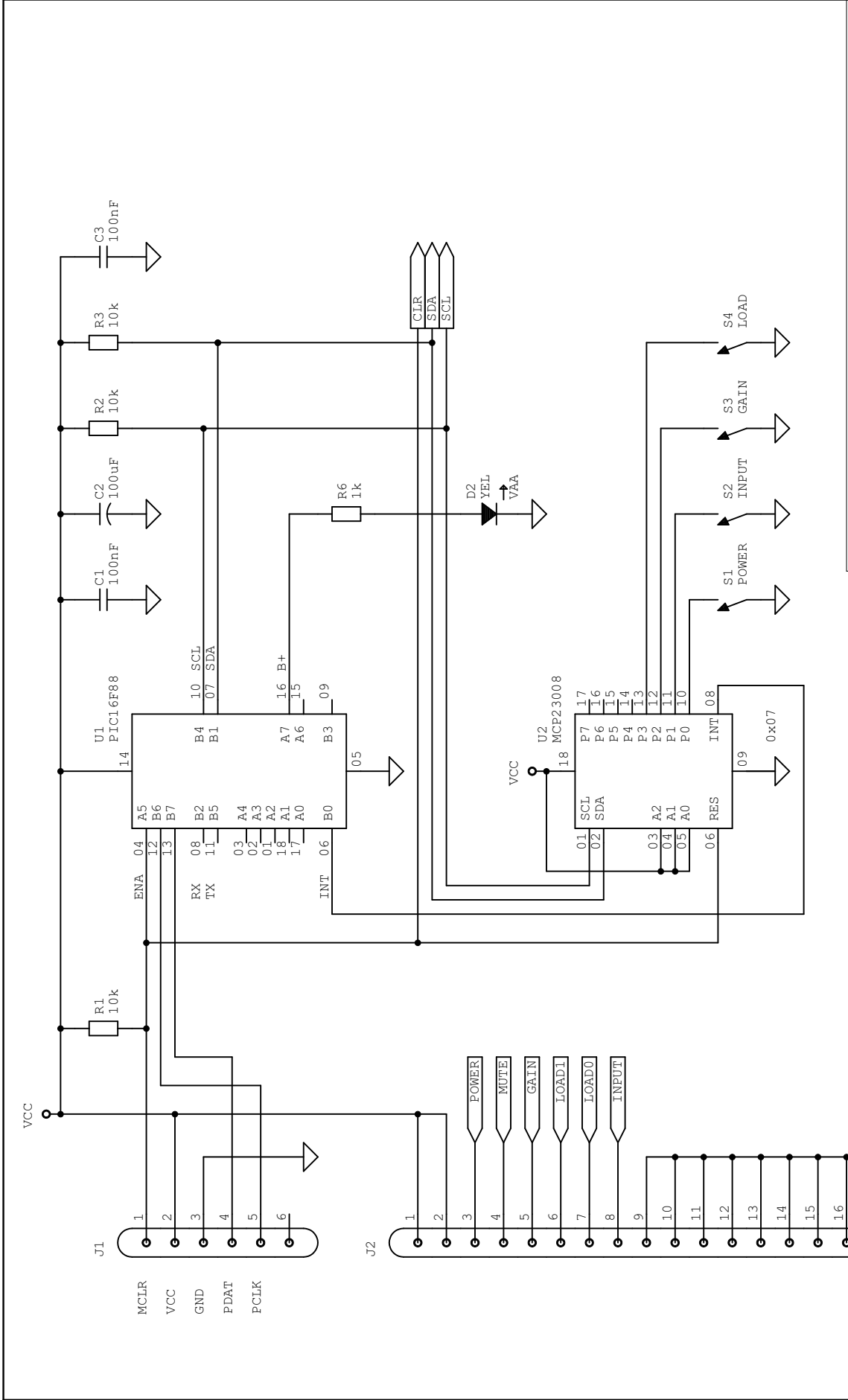
TITLE: EuphMain

Document Number:

REV:

Date: 12/29/2012 4:49 PM

Sheet: 6/6



Hagerman Audio Labs
 PO Box 61911
 Honolulu, HI 96839

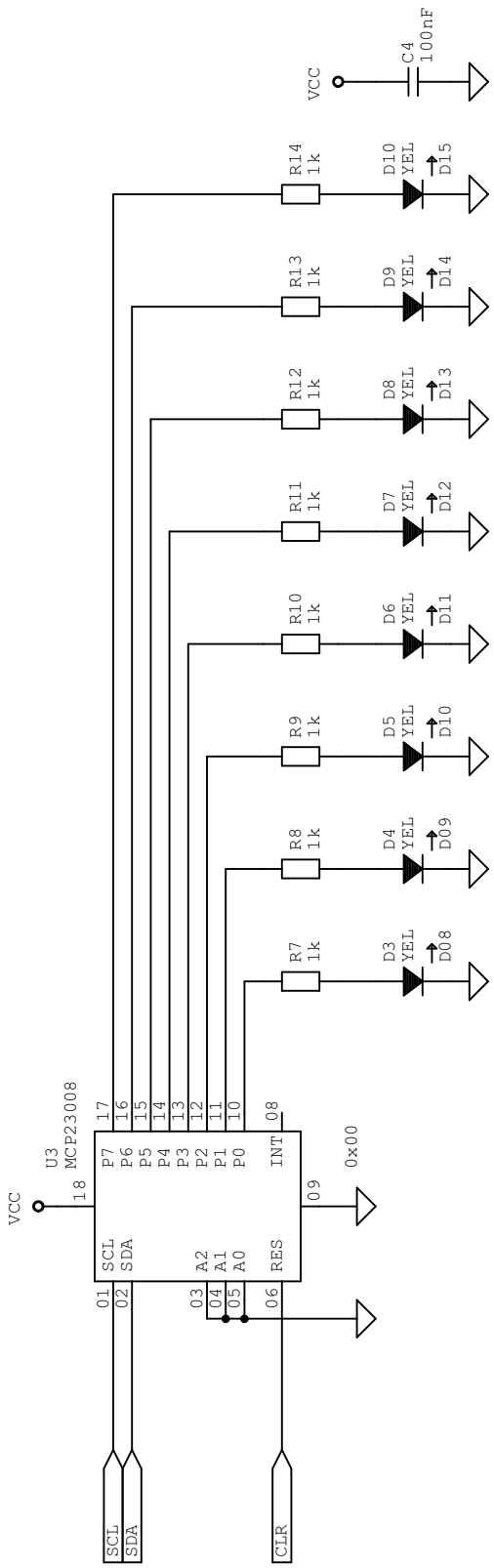
TITLE: EuphProc

Document Number:

REV:

Date: 12/29/2012 4:50 PM

Sheet: 1/3



Hagerman Audio Labs
 PO Box 61911
 Honolulu, HI 96839

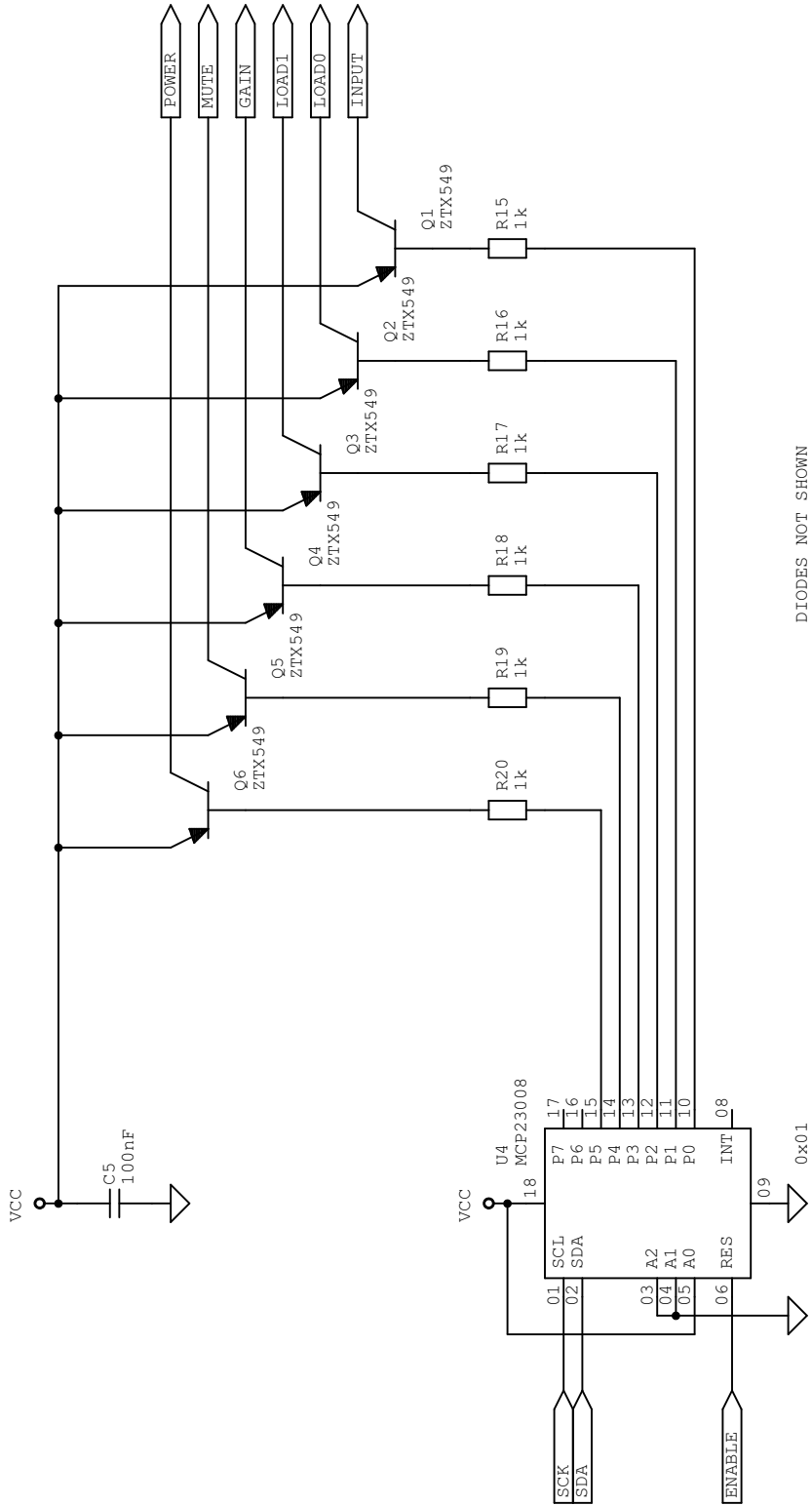
TITLE: EuphProc

Document Number:

REV:

Date: 12/29/2012 4:50 PM

Sheet: 2/3



Hagerman Audio Labs
 PO Box 61911
 Honolulu, HI 96839

TITLE: EuphProc

Document Number:

REV:

Date: 12/29/2012 4:50 PM

Sheet: 3/3