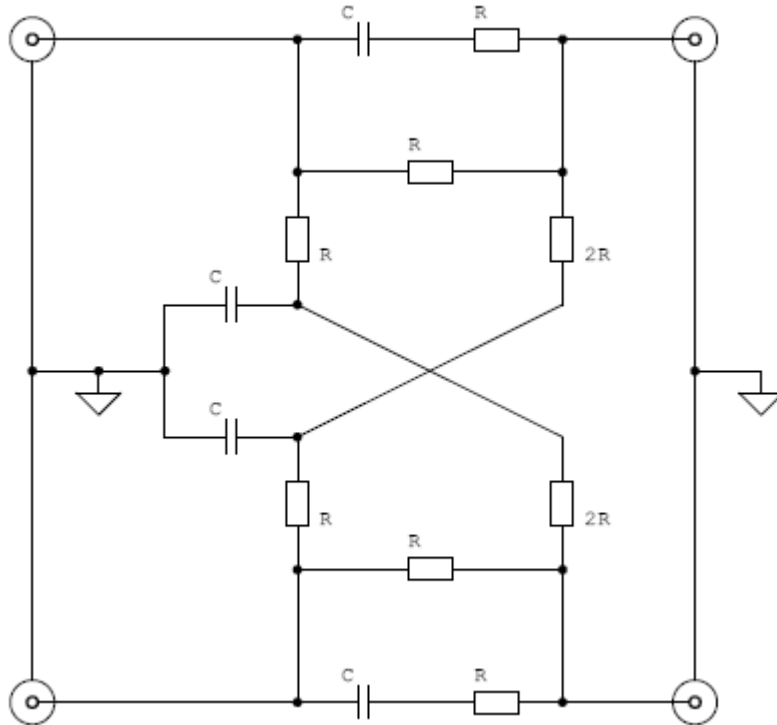


Crossfeed Network for Amplifier Input

Jim Hagerman

2019

For those of you interested in an all-analog solution for headphone crossfeed, try this simple circuit. $R = 10k$ and $C = 47nF$. It fits between a line level output and an amplifier input. Opposite channel feed is about 12dB down with appropriate phase delay.



Crossfeed simulates listening to loudspeakers, where both channels are heard by both ears.