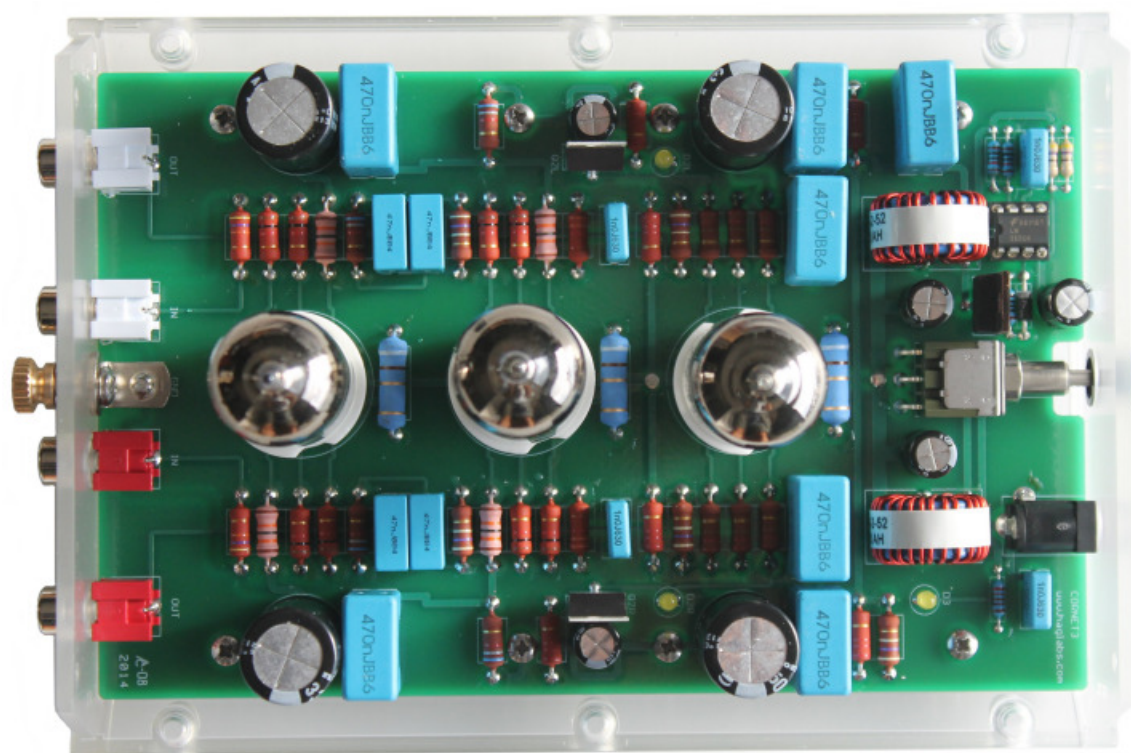




CORNET3

MM Vacuum Tube Phonostage



Made in USA

Copyrights & Trademarks

© Copyright Hagerman Audio Labs 2014. All rights reserved. No part of this document may be photocopied, reproduced, or translated to another language without the prior written consent.

Warnings

This product uses dangerous and potentially lethal voltages. Extreme care must be taken while assembling this amplifier and should only be attempted by a skilled technician. The instructions in this manual are a suggested guide only and no liability is assumed by Hagerman Audio Labs.

Disclaimer

The information contained in this document is subject to change without notice. Hagerman Audio Labs shall not be liable for errors contained herein or for consequential damages in connection with the furnishing, performance, or use of this material.

Warranty

Hagerman Audio Labs warrants this product free of defects in materials and workmanship for a period of 10 years. If you discover a defect, Hagerman Audio Labs will, at its option, repair or replace the product at no charge to you provided you return it during the warranty period, transportation charges prepaid to Hagerman Audio Labs. This warranty does not apply if the product has been damaged by negligence, accident, abuse or misuse or misapplication, has been damaged because it has been improperly connected to other equipment or has been modified without the express written permission of Hagerman Audio Labs. This warranty is limited to the replacement or repair of this product and not to damage to equipment of other manufacturers. Any applicable implied warranties, including warranty of merchantability, are limited in duration to a period of the express warranty as provided herein beginning with the original date of purchase and no warranties, whether express or implied shall apply to the product thereafter. Under no circumstances shall Hagerman Audio Labs be liable for any loss, direct, indirect, incidental, special, or consequential damage arising out of or in connection with the use of this product.

Hagerman Audio Labs

PO Box 61911

Honolulu, HI 96839

808-383-2704 (voice)

www.haglabs.com

Description

Congratulations, you have just purchased one of the highest performance-per-dollar audiophile products available! The Cornet3 phonostage brings high-end vacuum tube preamplification into the hands of budget-conscious audiophiles. The circuit topology features common cathode class-A gain stages with no feedback, passive equalization, and cathode follower output buffers with constant current sink loading. Power is supplied by a regulated wall-wart, which drives a boost converter running at about 50kHz to generate the +200V high voltage rail required for proper tube biasing.

Specifications

Item	Specification
Gain	44 dB
Input Impedance	47k ohm
Output Impedance	1k ohm
Bandwidth	10Hz to 600kHz
Distortion	<0.05% @1kHz
Noise	77dB ref 5mV A-weighted
Power On Delay	32 seconds
Size	5" x 7" x 1"
Power	120Vac / 240Vac 17W
Tubes	12AX7 x 2, 12AU7 x 2

Installation

Warning

The Cornet3 should not be operated without tubes installed!

Operation

Connect your Cornet3 between the cartridge on your turntable and your linestage or receiver. Make sure the turntable's ground wire is attached to the provided grounding lug. One of the great benefits of the Cornet3 is that it is very accommodating to tube rolling. Try out various tubes (especially NOS) to find a tonality that suits your taste. Use only recommended types (12AX7 and 12AU7).

The Cornet3, like all vacuum tube preamps, runs hot. This is normal.

When power is turned on, one of the LEDs should begin glowing immediately. This shows 9Vdc power. After a short 30 second delay, the other two LEDs will light up, indicating the high voltage supply has kicked in and the current sinks on the cathode followers are operating.

Troubleshooting

Hum, buzz, and other noise sources (WiFi) can be induced into the Cornet3 and/or input cables via close proximity. Place as far from other equipment as possible.

Vacuum Tube Positions

12AU7

12AX7

12AX7

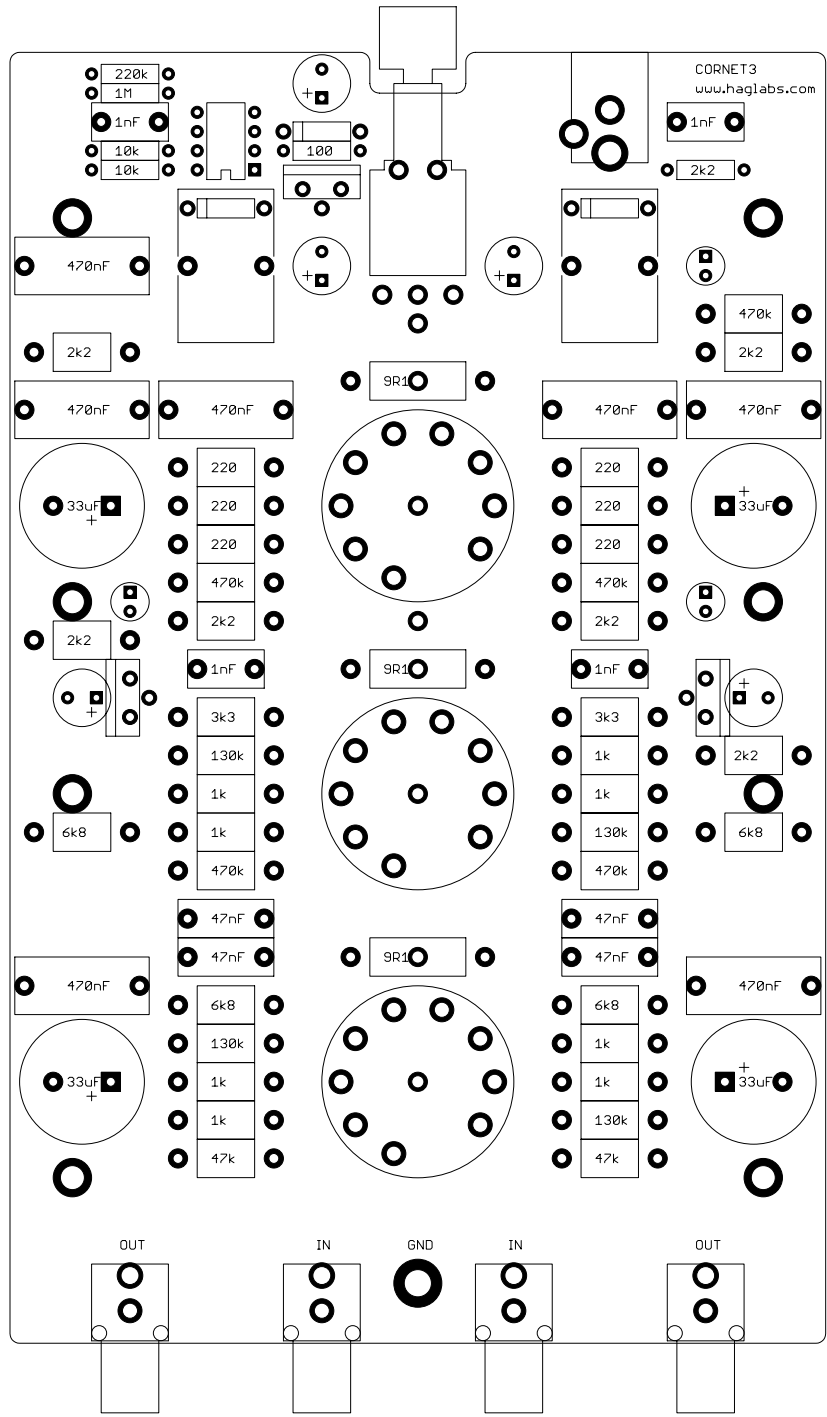
OUT

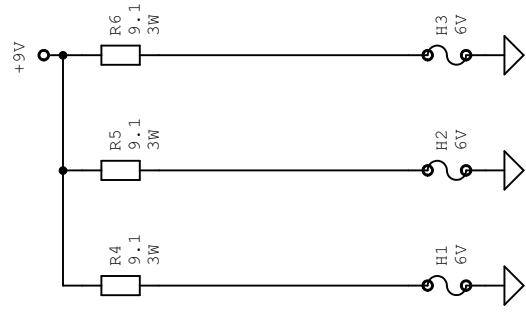
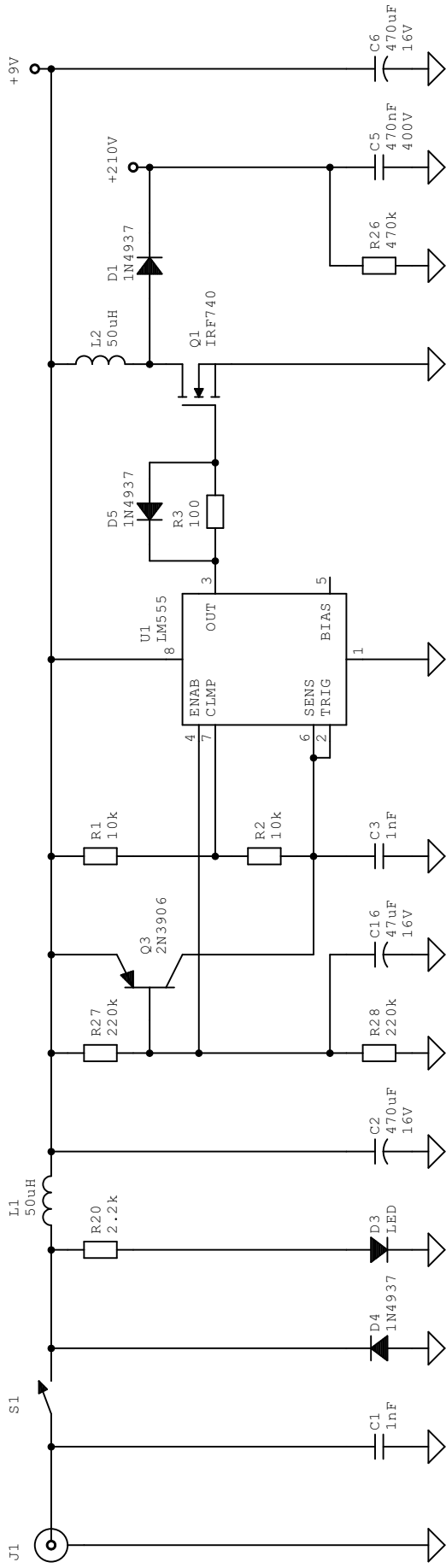
IN

GND

IN

OUT





Hagerman Audio Labs
 PO Box 61911
 Honolulu, HI 96839

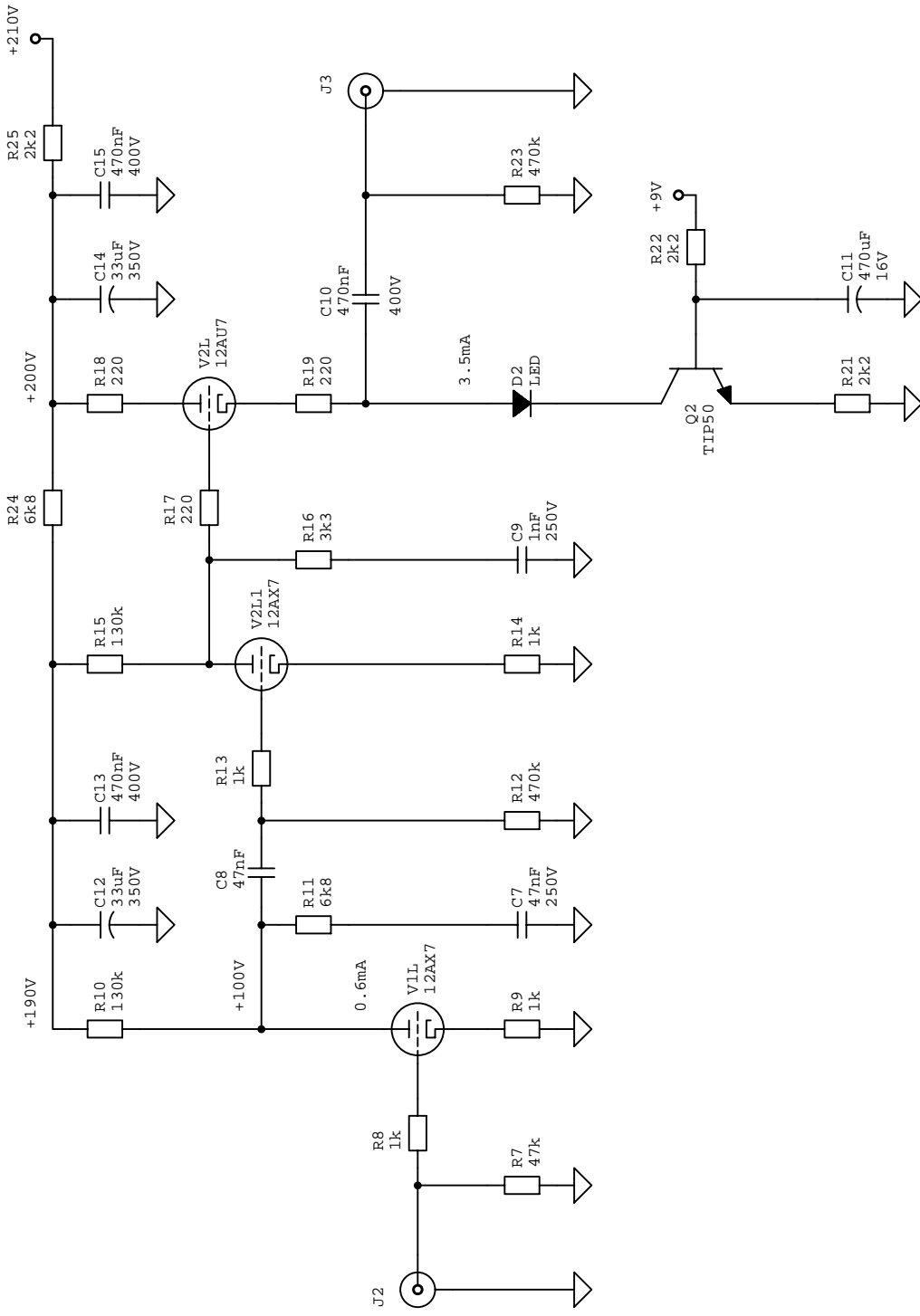
TITLE: Cornet3

Document Number:

REV:

Date: 8/9/2015 7:20:43 PM

Sheet: 1/2



Hagerman Audio Labs
 PO Box 61911
 Honolulu, HI 96839

TITLE: Cornet3

Document Number:

REV:

Date: 8/15/2014 3:43:41 PM

Sheet: 2 / 2