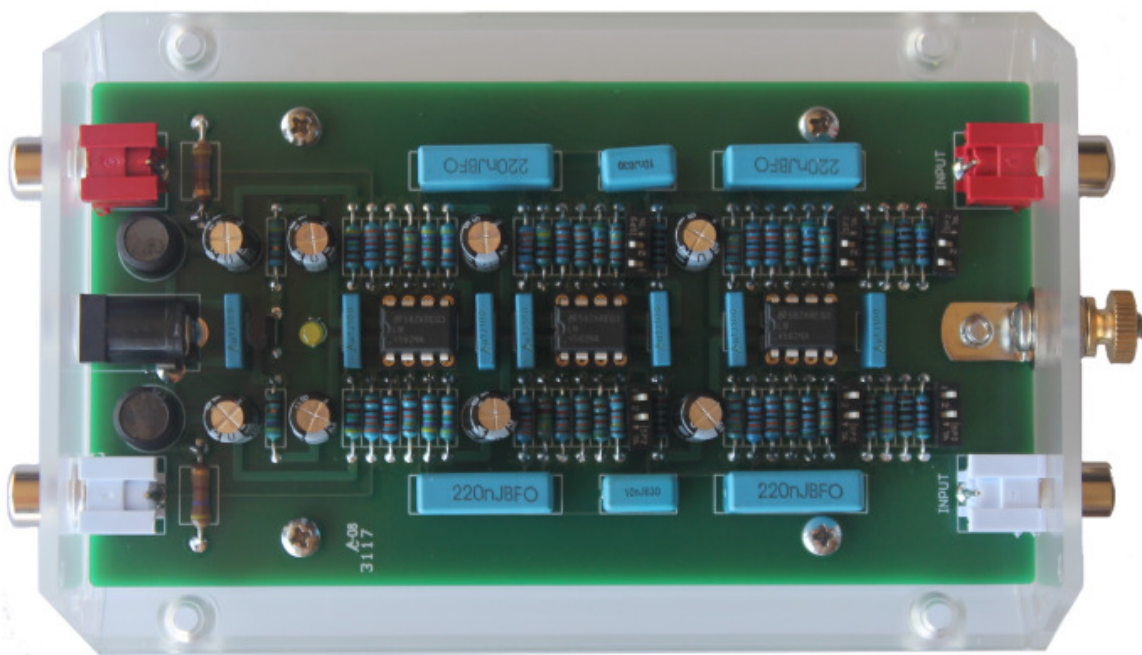




# BUGLE3

*MM / MC Phonostage*



Made in USA

---

## ***Copyrights & Trademarks***

© Copyright Hagerman Audio Labs 2017. All rights reserved. No part of this document may be photocopied, reproduced, or translated to another language without the prior written consent.

## ***Disclaimer***

The information contained in this document is subject to change without notice. Hagerman Audio Labs shall not be liable for errors contained herein or for consequential damages in connection with the furnishing, performance, or use of this material.

## ***Warranty***

Hagerman Audio Labs warrants this product free of defects in materials and workmanship for a period of 10 years. If you discover a defect, Hagerman Audio Labs will, at its option, repair or replace the product at no charge to you provided you return it during the warranty period, transportation charges prepaid to Hagerman Audio Labs. This warranty does not apply if the product has been damaged by negligence, accident, abuse or misuse or misapplication, has been damaged because it has been improperly connected to other equipment or has been modified without the express written permission of Hagerman Audio Labs. This warranty is limited to the replacement or repair of this product and not to damage to equipment of other manufacturers. Any applicable implied warranties, including warranty of merchantability, are limited in duration to a period of the express warranty as provided herein beginning with the original date of purchase and no warranties, whether express or implied shall apply to the product thereafter. Under no circumstances shall Hagerman Audio Labs be liable for any loss, direct, indirect, incidental, special, or consequential damage arising out of or in connection with the use of this product.

### **Hagerman Audio Labs**

PO Box 61911

Honolulu, HI 96839

808-383-2704 (voice)

[www.haglabs.com](http://www.haglabs.com)

# Description

Congratulations, you have just purchased one of the highest performance-per-dollar audiophile products available! The Bugle3 was designed to be a simple yet flexible phonostage capable of achieving very good sound quality comparable to far more costly units. It is a third-generation circuit topology that uses low noise audio opamps implementing passive split equalization filters and to provide a low output impedance. Both Gain and Loading are adjustable using tiny switches.

## Specifications

| Item             | Specification                  |
|------------------|--------------------------------|
| Gain             | 40, 50, 60, 64dB               |
| Input Impedance  | 47k, 553, 100, 85 Ohm          |
| Output Impedance | 330 Ohm                        |
| Bandwidth        | 10Hz to 1000kHz                |
| Distortion       | <0.01% @1kHz                   |
| Noise            | 64dB ref 0.5mV A-weighted (MC) |
| Size             | 3" x 5" x 1"                   |
| Power            | 120/240VAC 1W                  |

## Settings

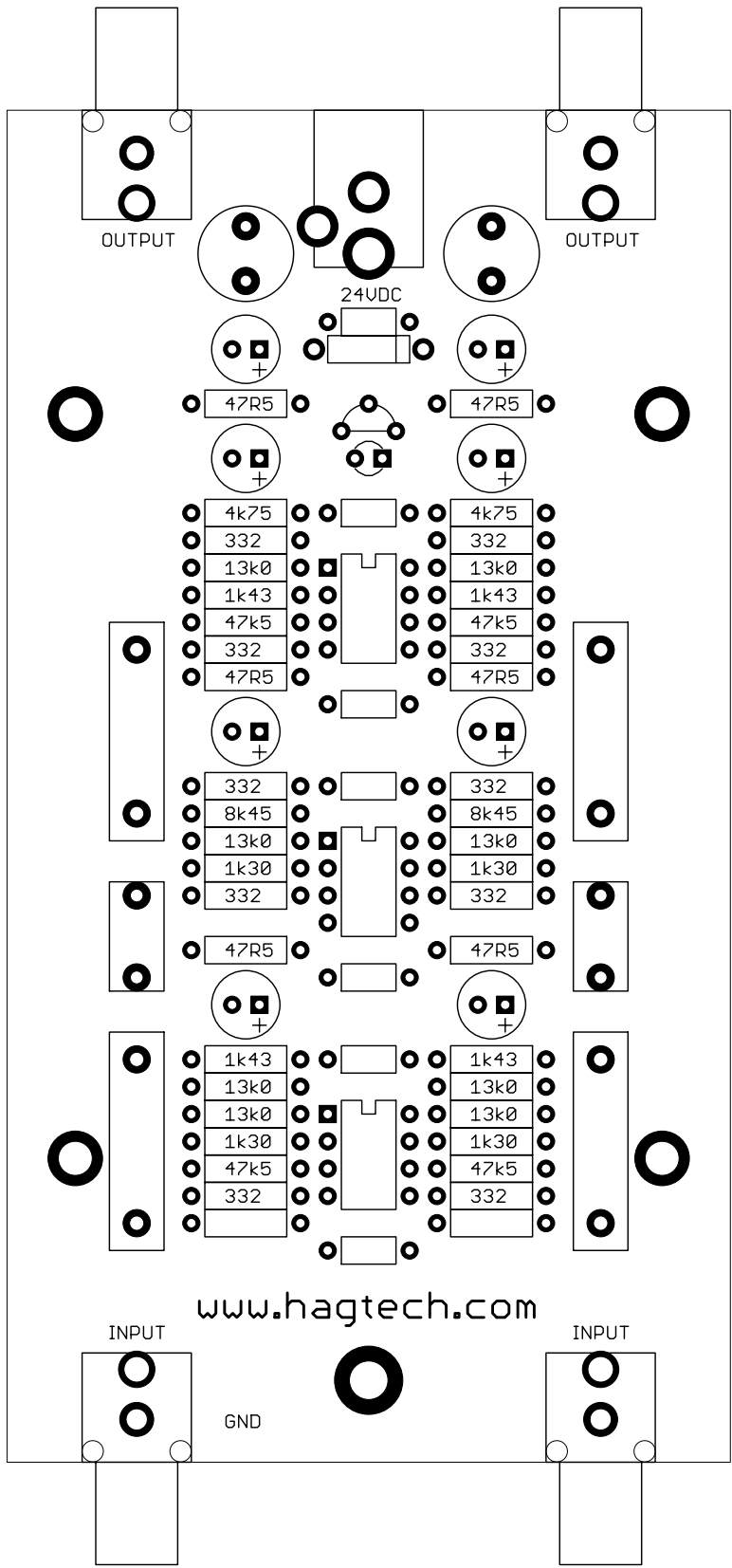
Use the small internal switches for setting both gain and loading according to this table. The arrow on switch indicates engaged. Beware as left and right channel switches face opposite directions.

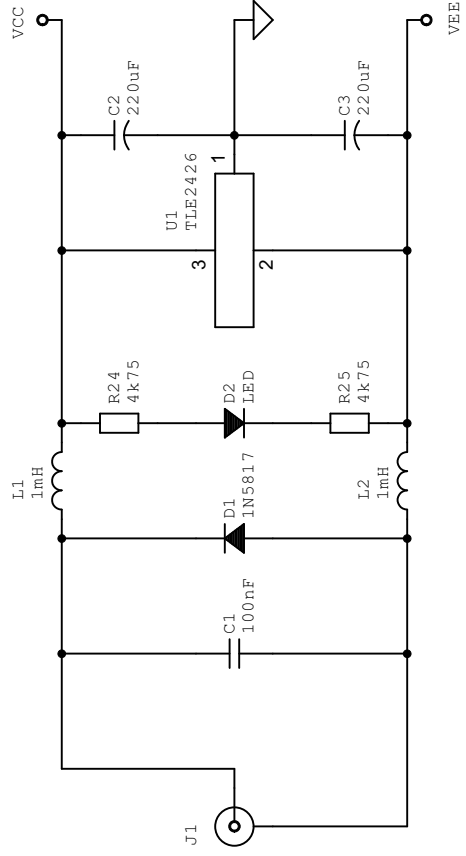
| Switch | Loading (Ohms) | Gain (dB) |
|--------|----------------|-----------|
| 0      | 47k            | 40        |
| 1      | 553            | 50        |
| 2      | 100            | 60        |
| 1 + 2  | 85             | 64        |

## Operation

Connect a cable between output jacks and your audio system. Attach the turntable ground wire to the grounding post and connect the turntable RCA output plugs into the Bugle3 input jacks. Plug in the power supply. Enjoy!

The Bugle3 must get an Earth ground from the linestage or receiver via the connecting cables; otherwise there will be hum. If the inputs to the linestage are floating, then add an extra ground wire to the Bugle3.





Hagerman Audio Labs  
 PO Box 61911  
 Honolulu, HI 96839

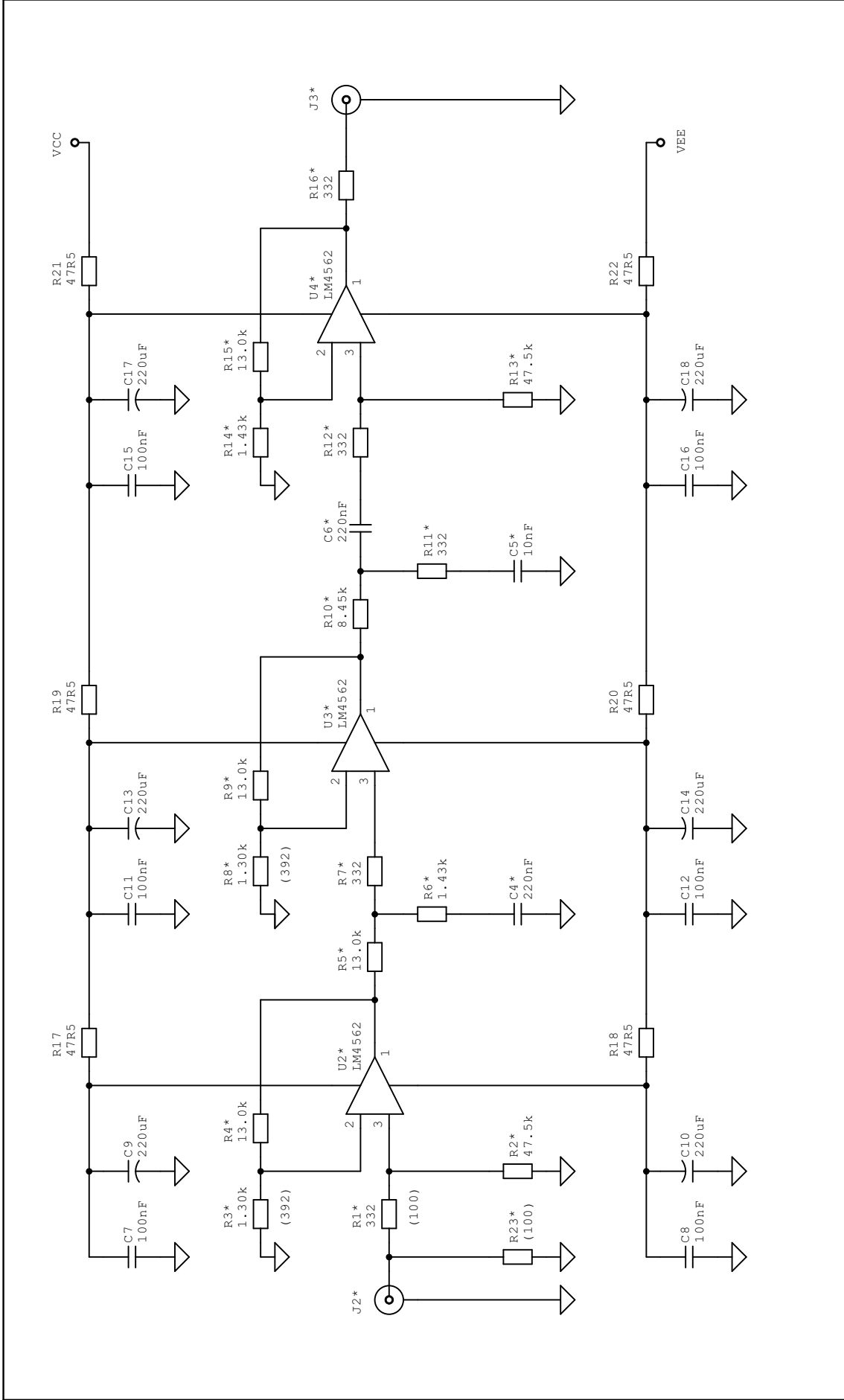
TITLE: Bugle2

Document Number:

REV:

Date: 3/24/2014 9:27:19 PM

Sheet: 1/2



Hagerman Audio Labs  
 PO Box 61911  
 Honolulu, HI 96839

TITLE: Bugle2

Document Number:

REU:

Date: 3/24/2014 9:27:19 PM

Sheet: 2/2