

Hagerman Audio Labs
 PO Box 61911
 Honolulu, HI 96839

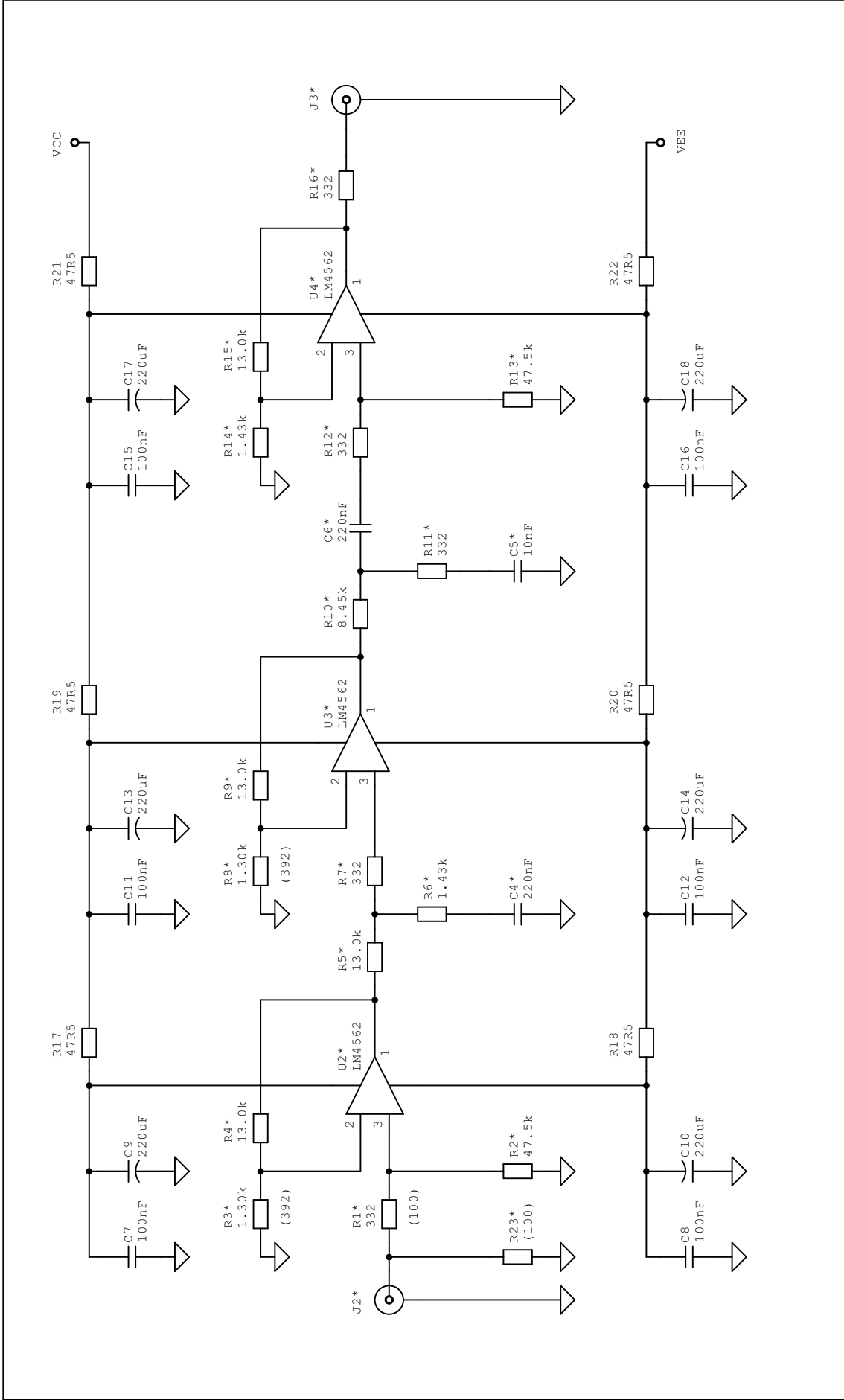
TITLE: Bugle2

Document Number:

REV:

Date: 3/24/2014 9:27:19 PM

Sheet: 1/2



Hagerman Audio Labs
 PO Box 61911
 Honolulu, HI 96839

TITLE: Bugle2

Document Number:

REU:

Date: 3/24/2014 9:27:19 PM **Sheet:** 2/2