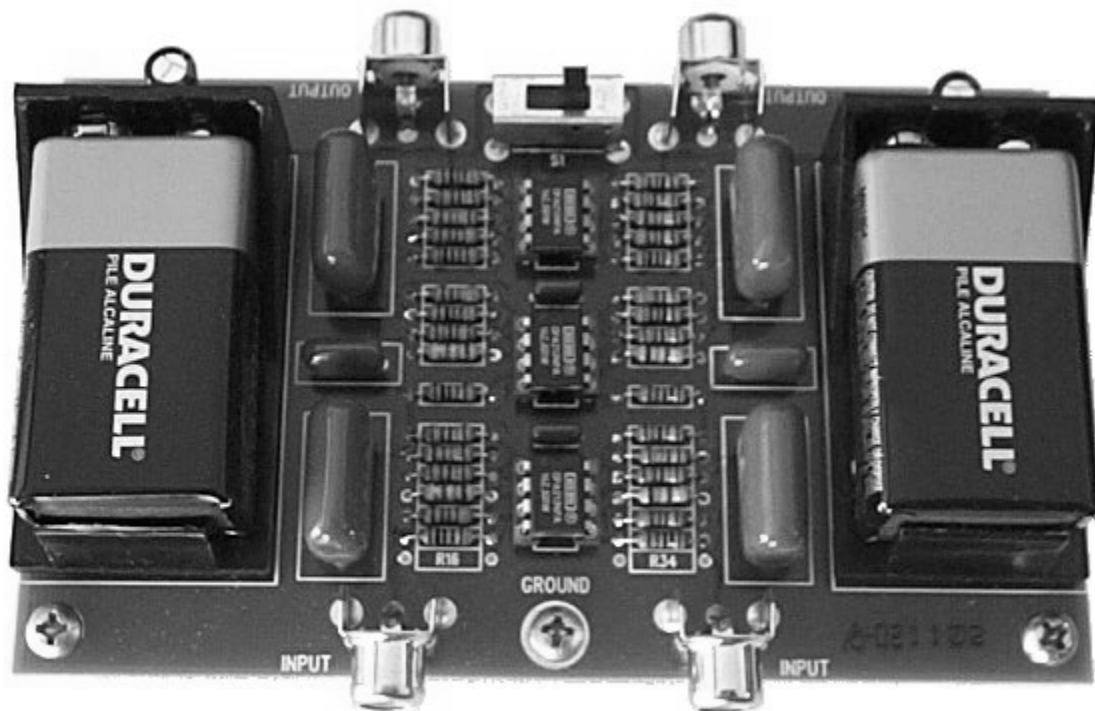




Bugle

MM Phono Preamplifier



Made in USA

Copyrights & Trademarks

© Copyright Hagerman Technology LLC 2006. All rights reserved. No part of this document may be photocopied, reproduced, or translated to another language without the prior written consent.

Disclaimer

The information contained in this document is subject to change without notice. Hagerman Technology LLC shall not be liable for errors contained herein or for consequential damages in connection with the furnishing, performance, or use of this material.

Warranty

Hagerman Technology LLC warrants this product free of defects in materials and workmanship for a period of 10 years. If you discover a defect, Hagerman Technology LLC will, at its option, repair or replace the product at no charge to you provided you return it during the warranty period, transportation charges prepaid to Hagerman Technology LLC. This warranty does not apply if the product has been damaged by negligence, accident, abuse or misuse or misapplication, has been damaged because it has been improperly connected to other equipment or has been modified without the express written permission of Hagerman Technology LLC. This warranty is limited to the replacement or repair of this product and not to damage to equipment of other manufacturers. Any applicable implied warranties, including warranty of merchantability, are limited in duration to a period of the express warranty as provided herein beginning with the original date of purchase and no warranties, whether express or implied shall apply to the product thereafter. Under no circumstances shall Hagerman Technology LLC be liable for any loss, direct, indirect, incidental, special, or consequential damage arising out of or in connection with the use of this product.

Hagerman Technology LLC

PO Box 26437

Honolulu, HI 96825

808-383-2704 (voice)

808-394-6076 (fax)

www.hagtech.com

Description

The Bugle is a highly acclaimed and award-winning (stereophile recommended component) phono preamplifier, designed to compete against products many times its price. The key to its transparent, dynamic, and fatigue-free sound is the use of passive equalization between gain stages. A dc-coupled output buffer provides enough drive for even passive line stages.

Battery operation minimizes hum problems in even the most demanding situations.

Package Contents

- Bugle phonostage

Specifications

| Item | Specification |
|------------------|--------------------------|
| Gain | 40dB |
| Input Impedance | 47k ohms |
| Output Impedance | 330 ohms |
| RIAA Accuracy | +/-0.5dB (30Hz to 60kHz) |
| Bandwidth | 15Hz to 150kHz (-3dB) |
| Distortion | 0.05% @1kHz |
| SNR | 74dBA ref 5mV |
| Overload | 55mV @1kHz |
| Battery Life | 16 hours (alkaline) |

Operation

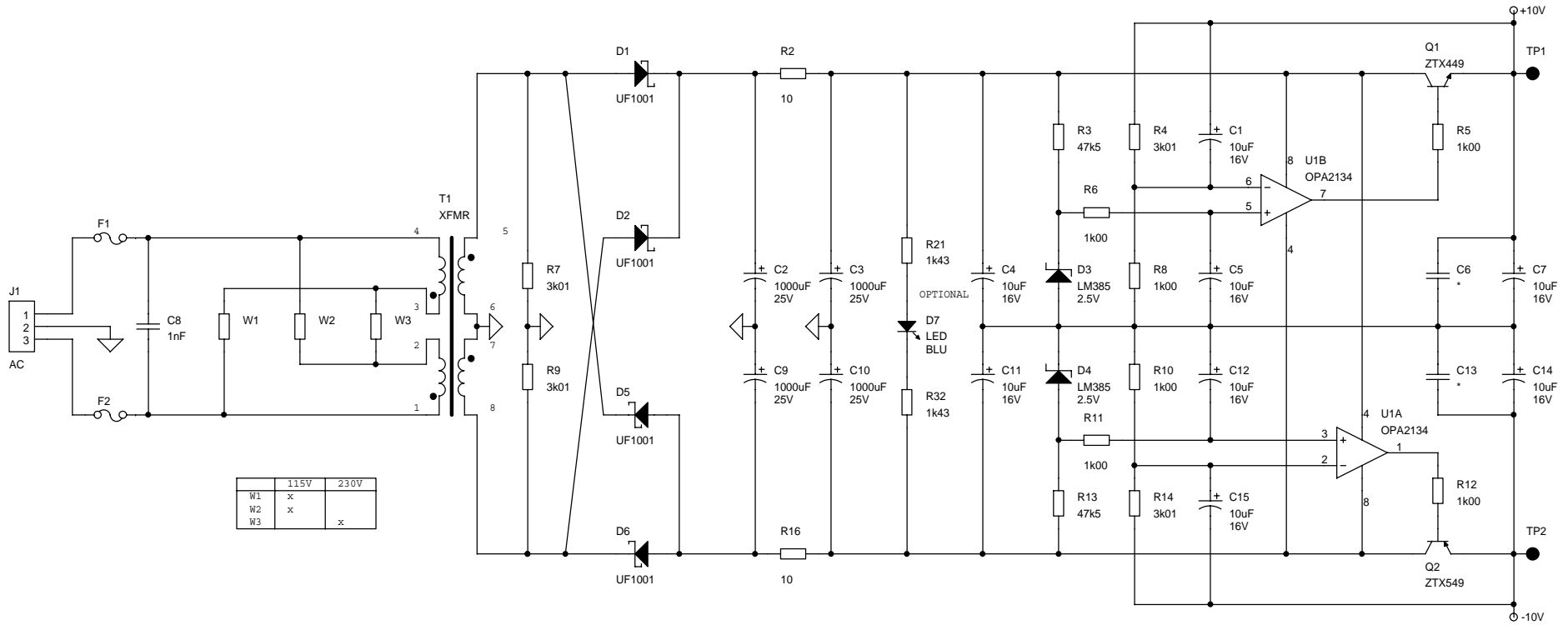
The Bugle installs like any other phono preamplifier, but without the power supply hassles. Connect the turntable ground wire to the **GROUND** screw terminal between the inputs. Connect the cartridge output wires to the **INPUT** RCA jacks. The **OUTPUT** jacks are line level and connect to the auxiliary input on your linestage or integrated amplifier via your favorite interconnects. Install two fresh (alkaline type recommended) 9V batteries.

The Bugle can also plug directly into most sound cards. No warm-up period is required. Turn it on when you are ready to play.

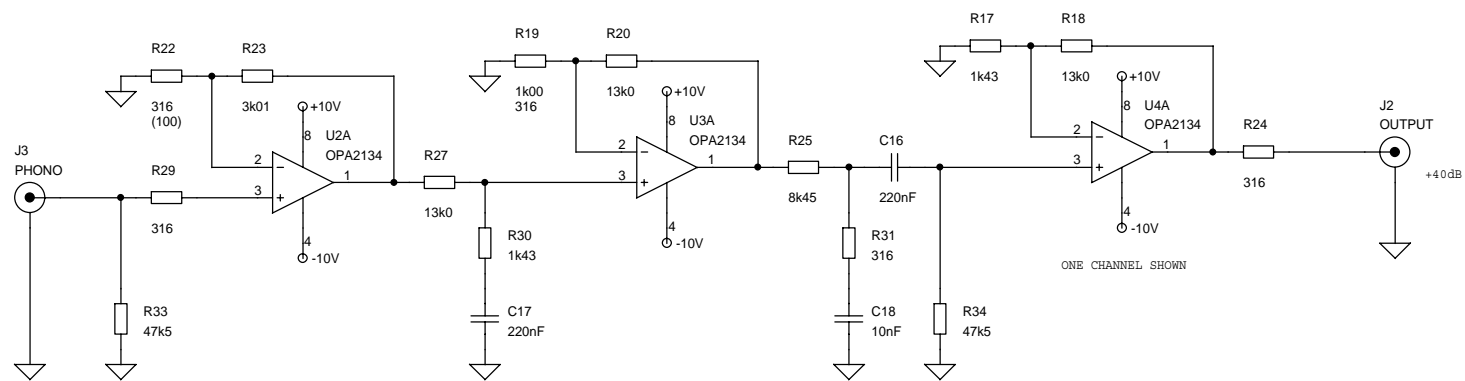
Note: Outputs are dc-coupled and may present a dc offset voltage if one of the batteries fails prior to the other.

Troubleshooting

| Problem | Solution |
|------------------------------|---|
| No sound. | Is switch on? Could be dead batteries. Is linestage selecting correct input? |
| DC voltage on the outputs. | One battery is dead. |
| Buzz or hum. | Is turntable ground wire connected? Is anything in contact with components on board? Are any power transformers or other equipment near the Bugle? Stray magnetic and electric fields can induce hum. |
| Volume is low. | Are you using a moving magnet or "high output" moving coil cartridge? Gain is insufficient for low output moving coils. |
| Only one channel is working. | Check cables by swapping left and right channels, one of them could be bad. |



| | 115V | 230V |
|----|------|------|
| W1 | x | |
| W2 | x | |
| W3 | | x |



ONE CHANNEL SHOWN

Hagerman Technology
P.O. Box 26437
Honolulu, HI 96825

Title
Bugle2: Phono

Size Document Number
n/a

Date: **Wednesday, December 07, 2005** Sheet 1 of 1 Rev A

This document contains proprietary information and except with written permission of Hagerman Technology LLC such information shall not be published, or disclosed to others, or used for any purpose, and the document shall not be copied in whole or in part. Copyright Hagerman Technology LLC 2005. All rights reserved.